



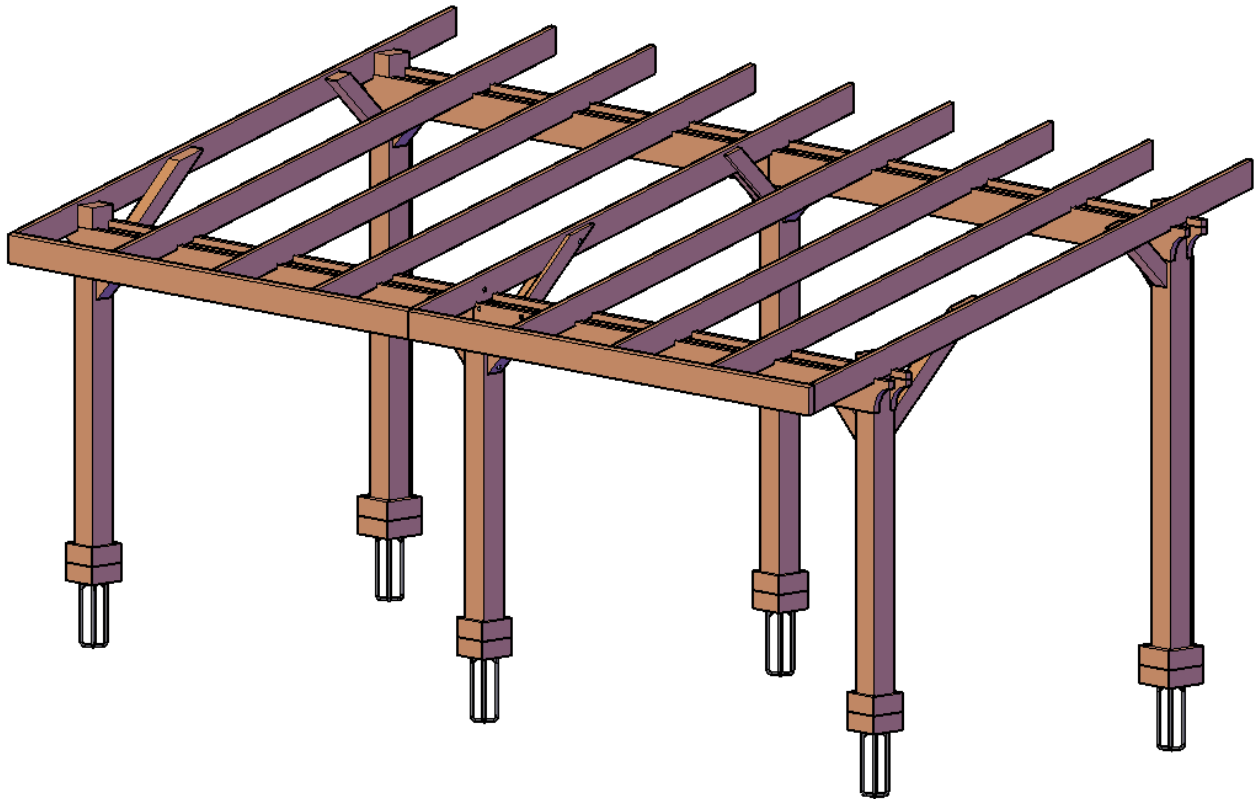
FOREVER REDWOOD

From the Forest, For the Forest since 1995

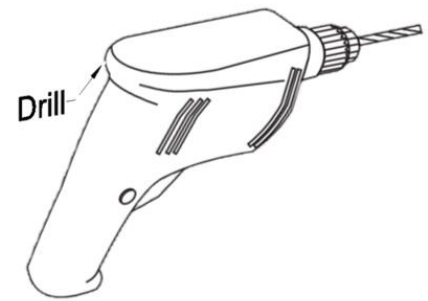
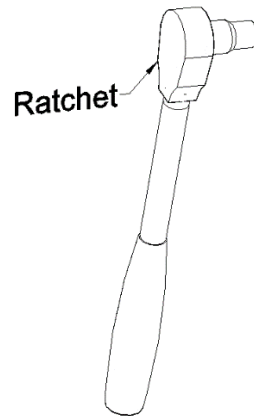
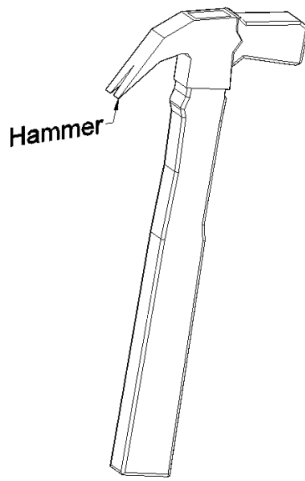
619-639-7503 or 619-677-1965 -Direct Lines for the Engineering Department

7am – 5pm Pacific Time, Monday - Friday

ASSEMBLY INSTRUCTIONS FOR THE SOLAR PERGOLA

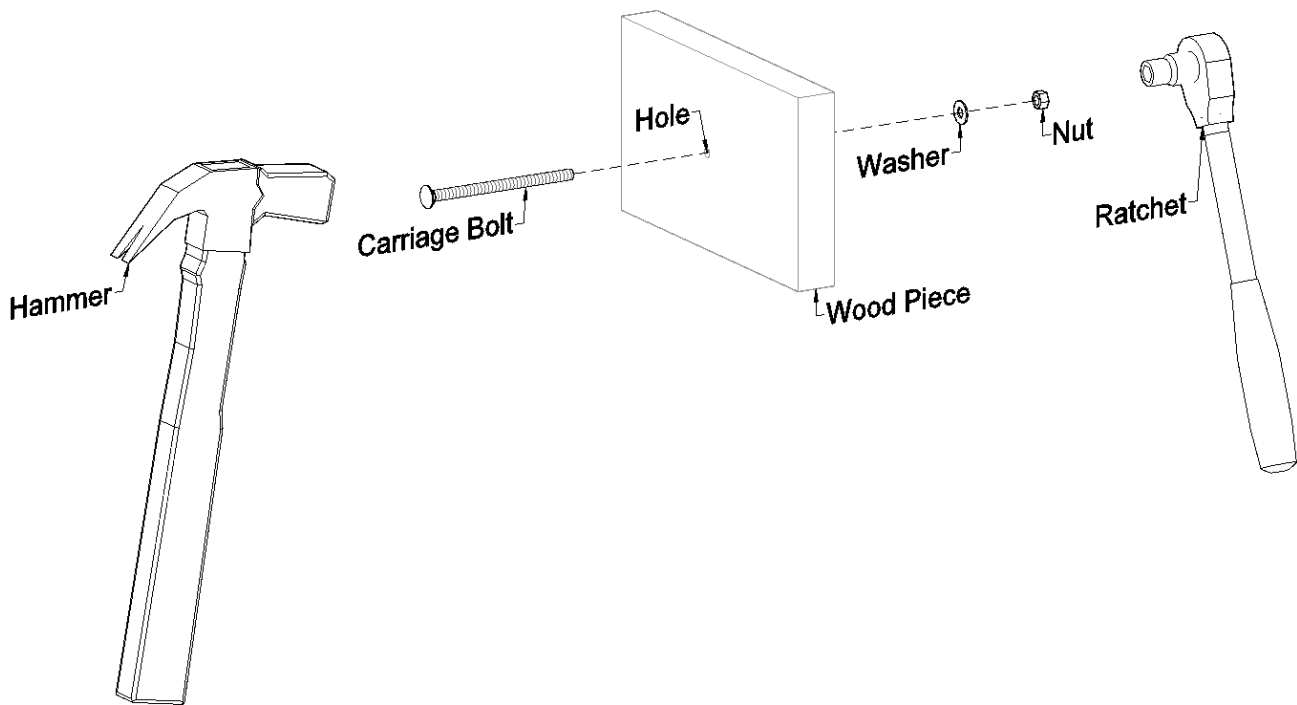


NOTE: To assemble your product, you need a Hammer, a Ratch, a Drill, and an impact drill. For bigger structures, a forklift may be needed too.



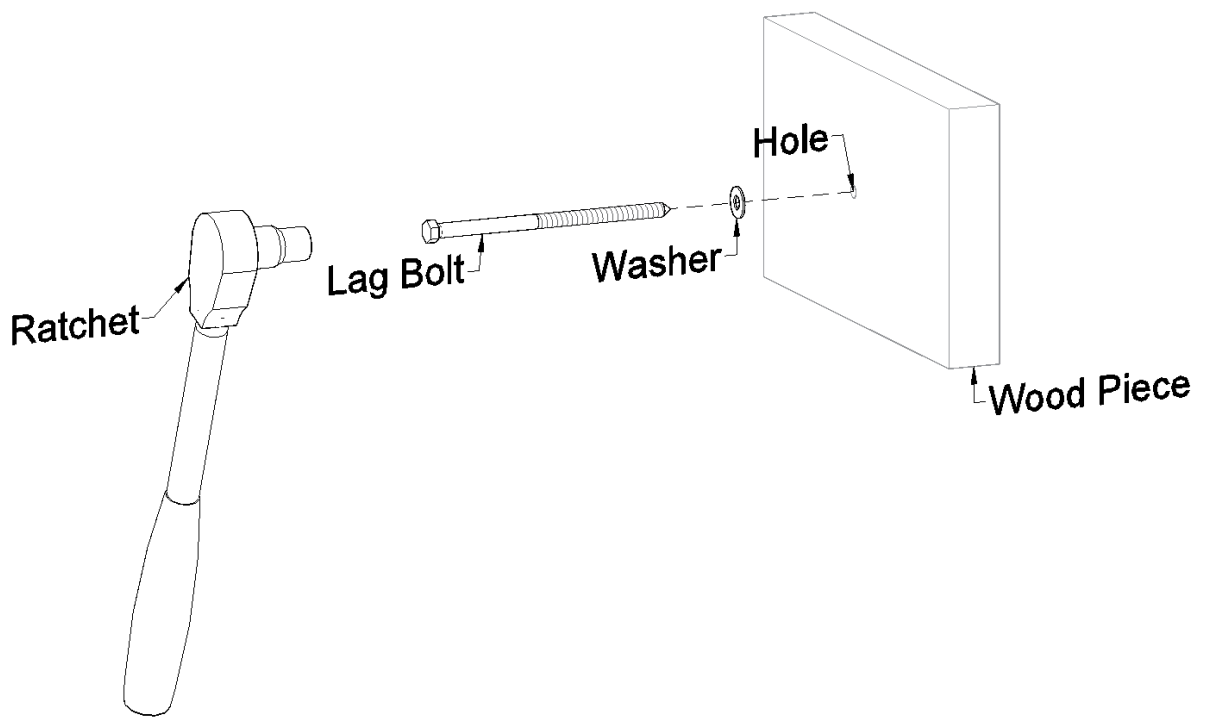
Required Tools (Are not included in your hardware packing).

PROCESS TO INSTALL THE HARDWARE PROVIDED.



To install the bolts.

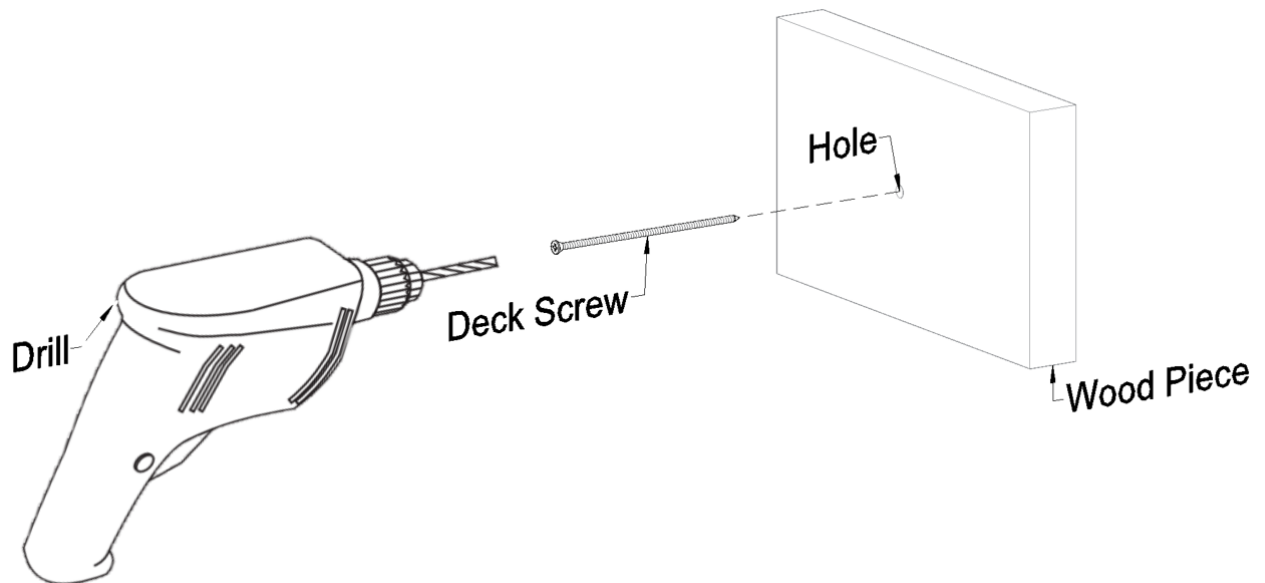
Insert the carriage bolts into the holes and lightly tap with a hammer until the square neck fit in the wood piece and the bolt head must flush with the wood piece. Finally, place the washer and the nut and carefully tighten it using a ratchet with the necessary socket or a wrench.



To install the lag bolts.











Place the washers in their lag bolts. After that, insert the lag bolts into the holes and carefully tighten it using a **ratchet** with the necessary **socket**.

Use the washers only for the Wood Pieces.












To install the deck screws.

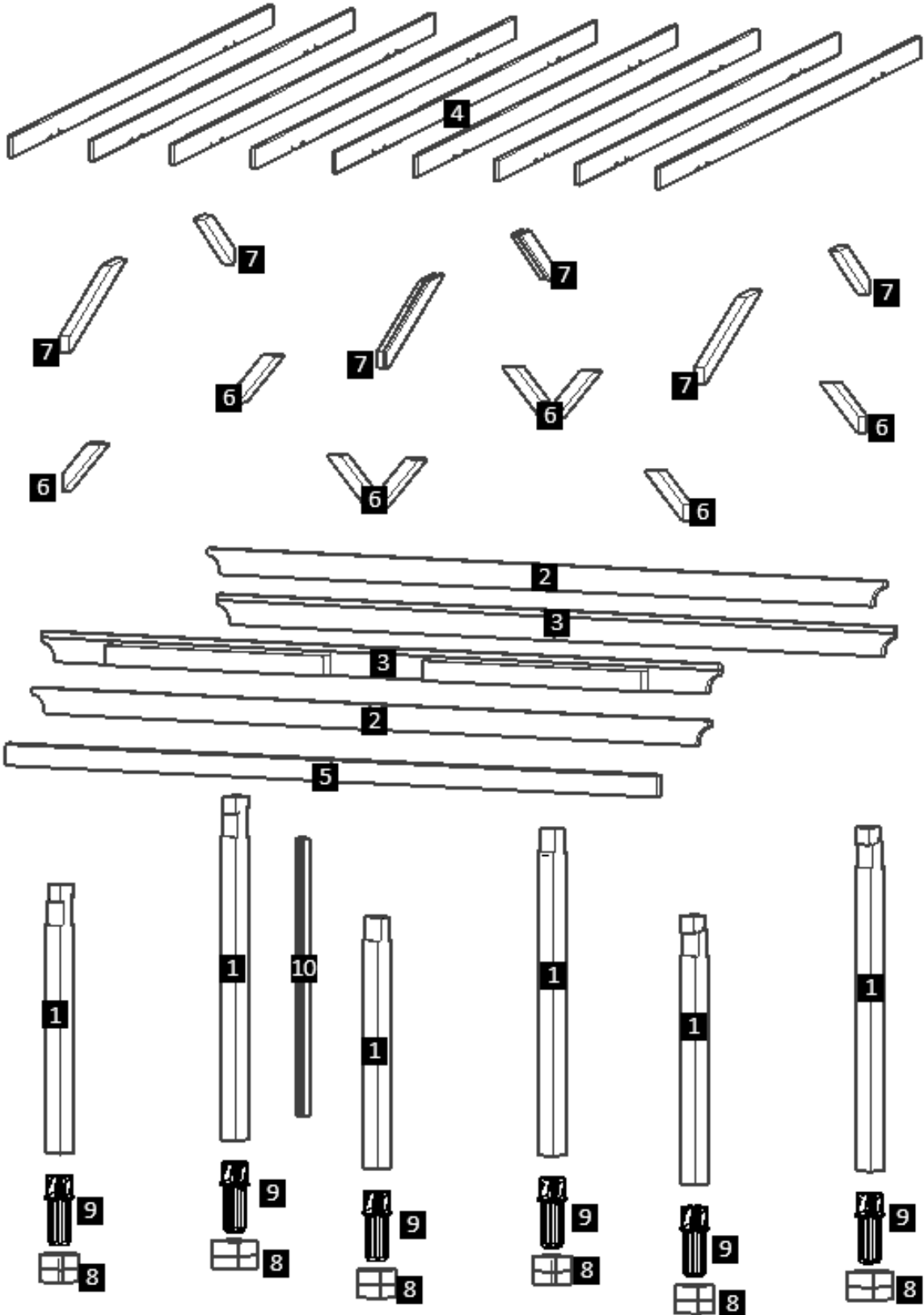
Insert the deck screws into the holes and carefully tighten it using a drill.

CONTENT OF BOXES			
Qty.	Description	Drawing	No.
6	Posts		1
4	Single Supports		2
4	Supports with In-Between Blocking		3
9	Rafters		4
2	Fascias		5
8	Main Knee Braces		6
6	Secondary Knee Braces		7
6	Boots		8
6	High wind Anchor bases		9
2	Electrical trims		10

Note: Part numbers in the Content of Boxes Table are for reference only. These do not match to the numbers marked on the parts sent.

HARDWARE LIST			
Qty.	Description	Drawing	No.
48	3/8" x 3" lag bolts		LB1
36	3/8" x 7 3/4" bolts		BL1
10	3/8" x 12" bolts		BL2
2	3/8" x 17" bolts		BL3
4	3/8" x 8 1/2" bolts		BL4
4	3/8" x 6 1/4" bolts		BL5
2	3/8" x 4 1/2" bolts		BL6
140	3" deck screws		DS1
40	4" deck screws		DS2

DESCRIPTION	No.
Posts	1
Single Supports	2
Supports with In-Between Blocking	3
Rafters	4
Fascias	5
Main Knee Braces	6
Secondary Knee Braces	7
Boots	8
High wind Anchor bases	9
Electrical trims	10

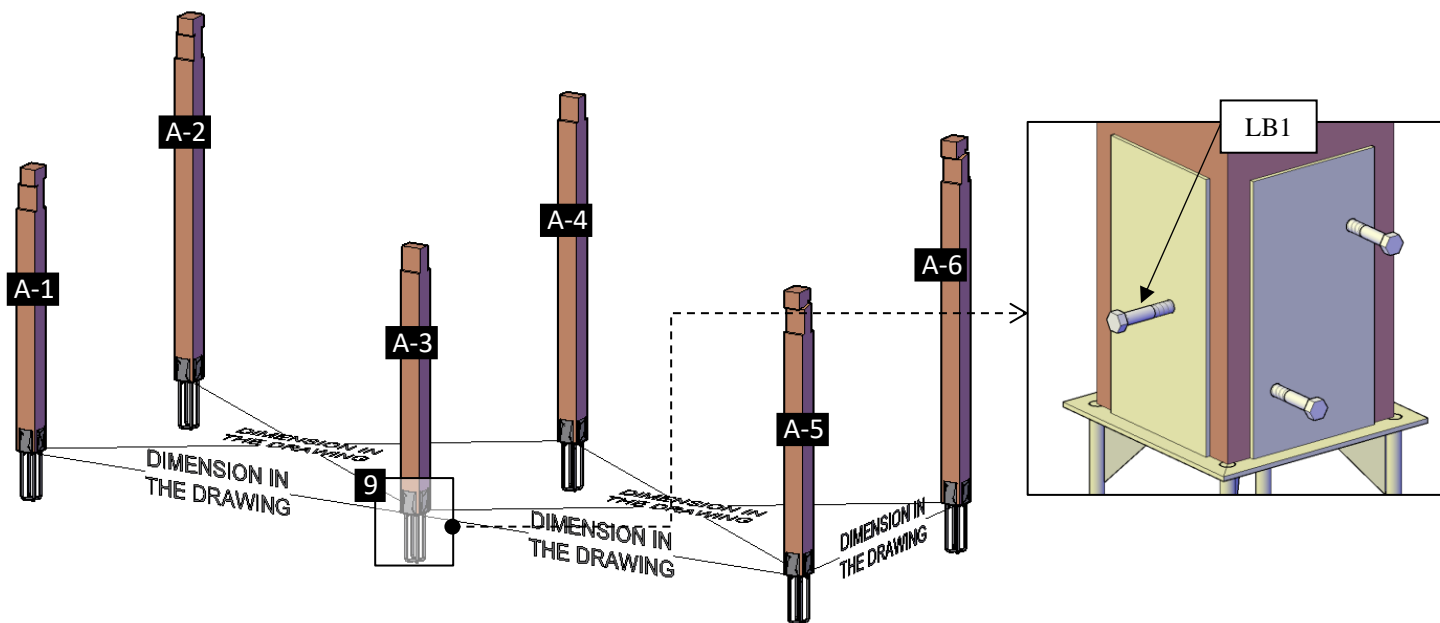


Note: Part numbers in the Drawing are for reference only. These do not match to the numbers marked on the parts sent.

NOTE: In order to know where the post needs to be placed, check the numbers on them. If the post is not marked, then place the single Supports on the ground to locate the markings for each post position and clearly set your bearings. (“Don’t attach yet, only place them on the ground to begin with”).

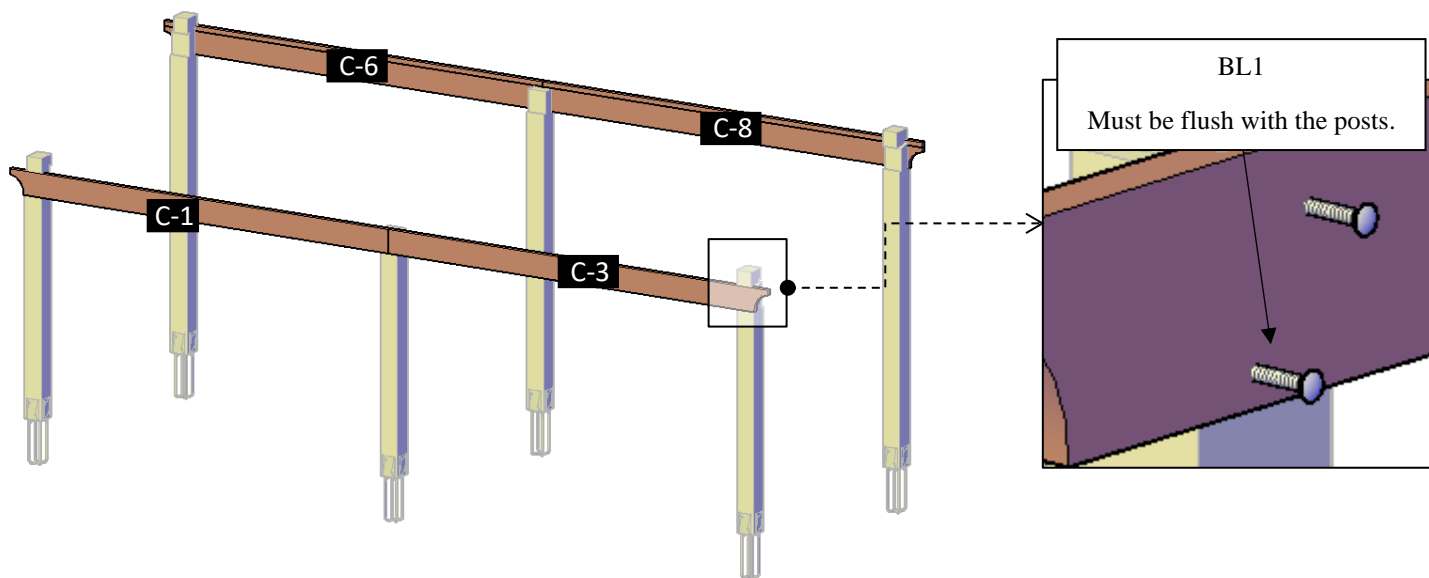
Note: Before install the anchor bases make sure that the ground is level using a carpenter's level or hydro-level (water level).

Step 1: Install the anchor bases (9). Please see the “How to anchor your pergola document” for all details. Set your post (1) in the saddle of the anchor bases. Drill a $\varnothing \frac{1}{4}$ ” hole in the post prior to anchoring to facilitate the ratcheting of the hardware. After that, use 3/8” x 3” lag bolts (LB1) to attach each post to its respective anchor base.



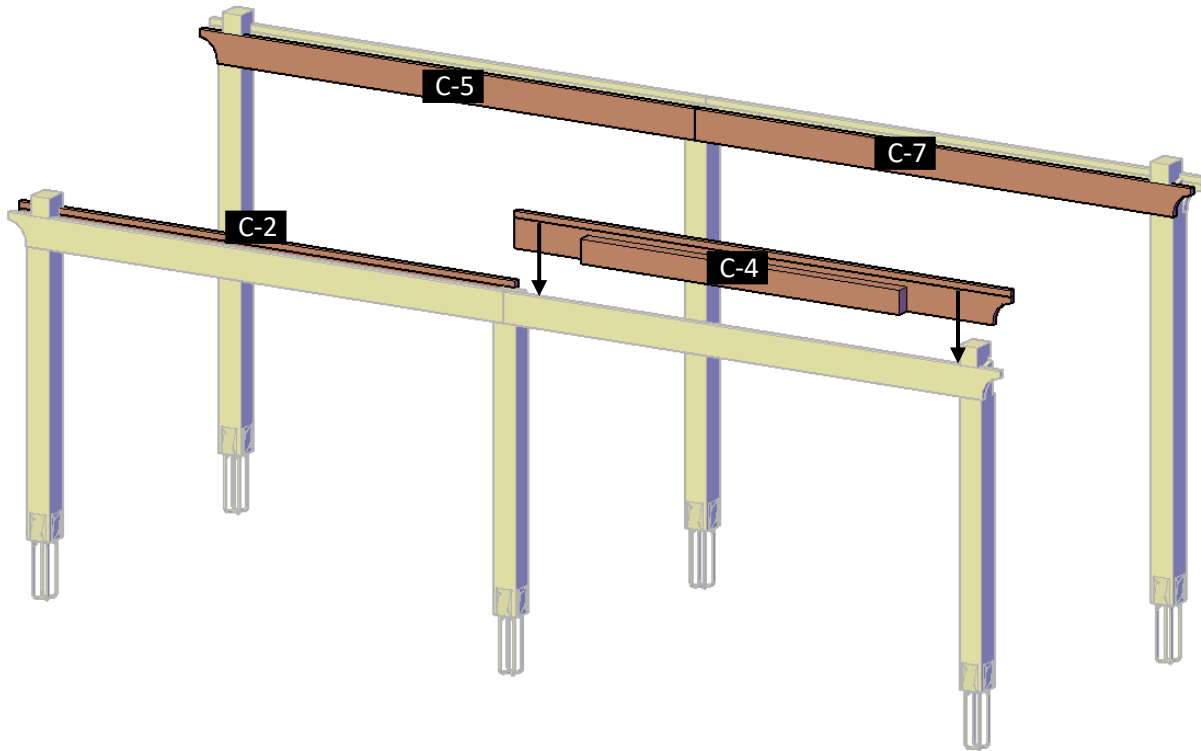
Step 2: Attach the single supports (2) to the posts with 3/8” x 7 3/4” bolts (BL1) with washer and nuts. Check the marked numbers on each support and place as drawings shown.

Note: Don’t completely tighten yet the bolts – you will need the install the supports with in between blocking first.

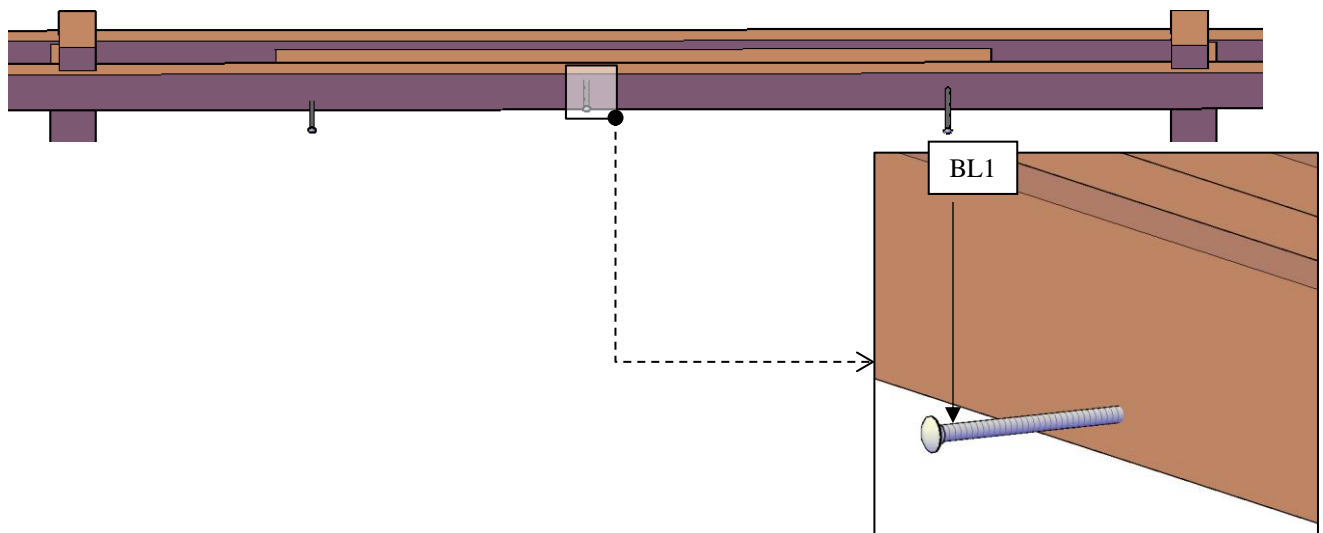


Step 3: Place the supports with in between blocking into the post notches. After that, return to the bolts described in the step 2 and tighten fully. Check the marked numbers on each support with in-between blocking and place as drawings shown.

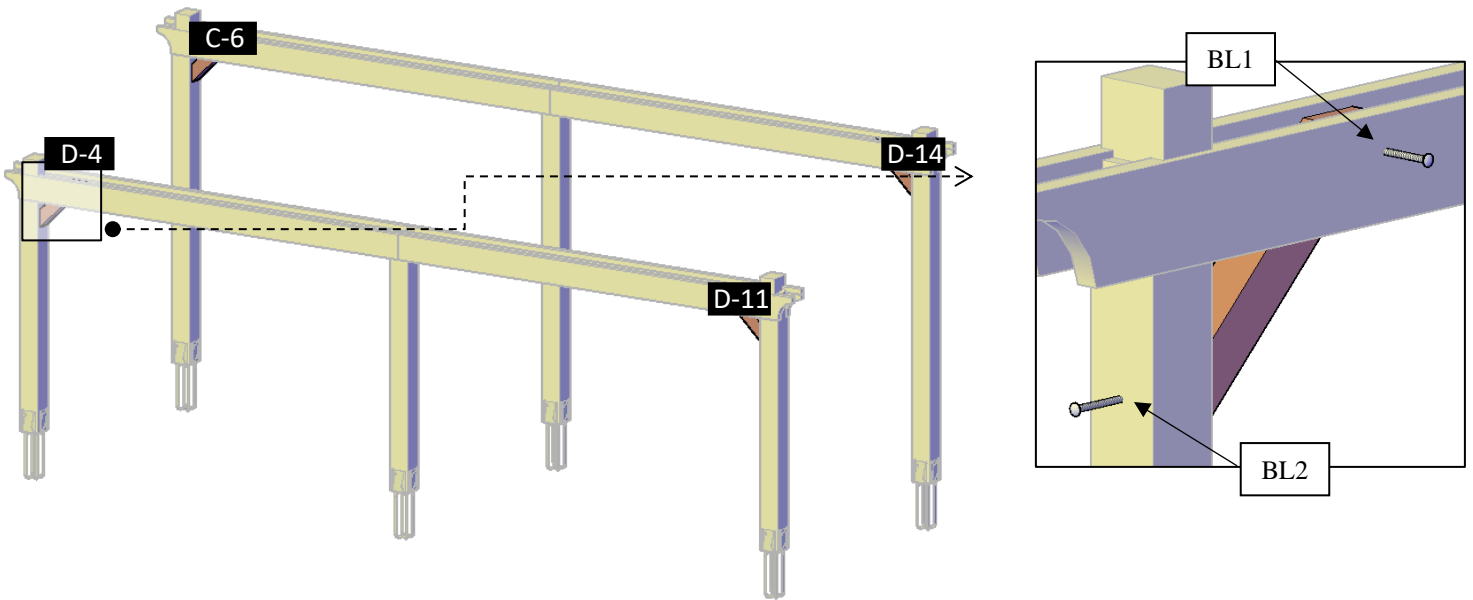
Note: put silicone in joints of the supports with in-between blocking.



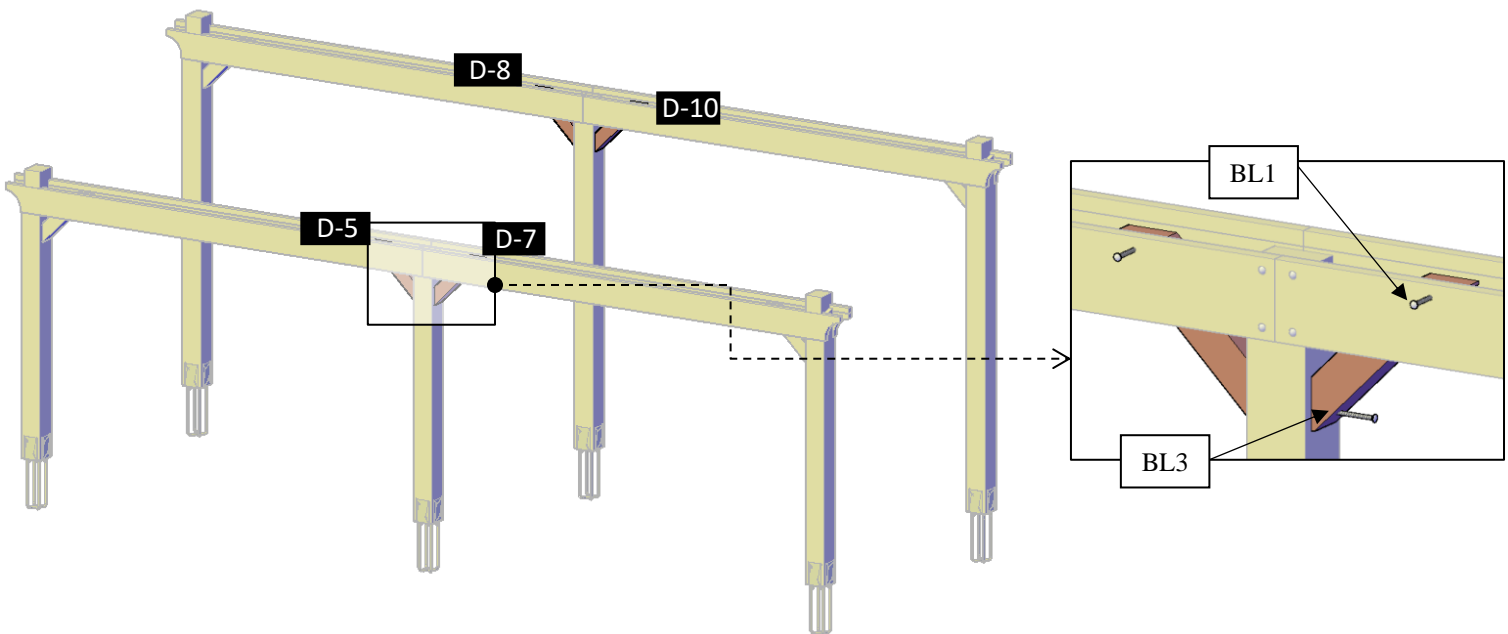
Step 4: Attach the single supports (2) to the supports with in-between blocking (3), use 3/8" x 7 3/4" bolts (BL1) with washer and nuts.



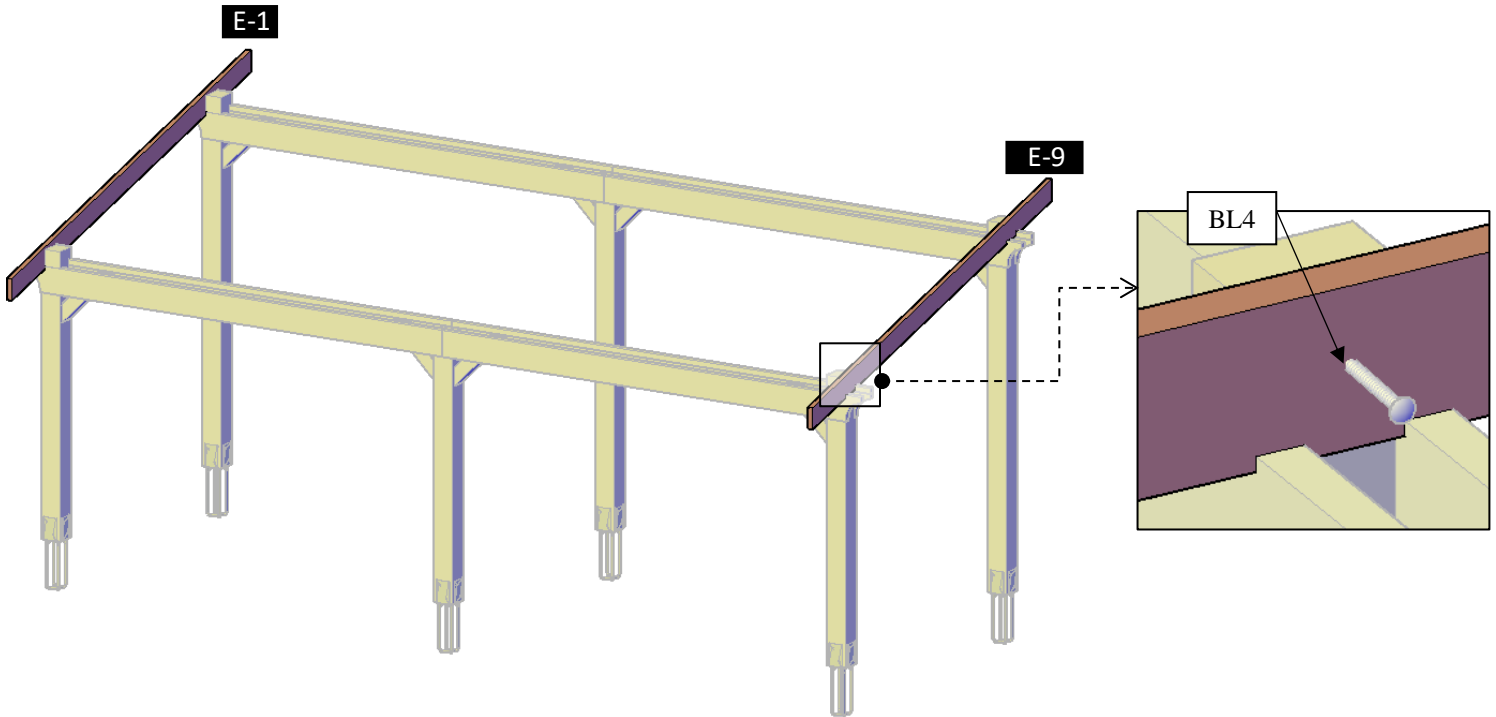
Step 5: Attach the main knee braces (6) to the supports with 3/8" x 7 3/4" bolts (BL1) and to the posts with 3/8" x 12" bolts (BL2) with washer and nuts. Check the marked numbers on each main knee braces and place as drawings shown.



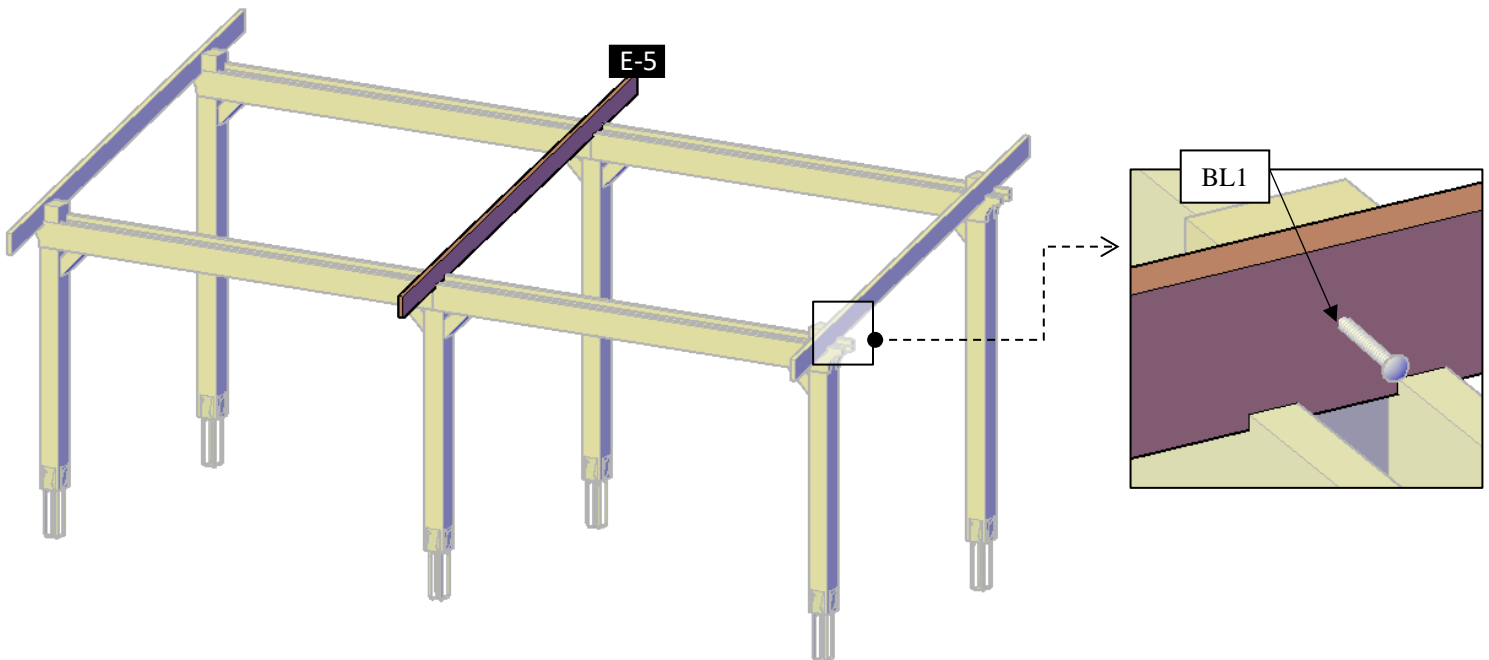
Step 6: Attach the central knee braces (6) to the supports with 3/8" x 7 3/4" bolts (BL1) and to the posts with 3/8" x 17" bolts (BL3) with washer and nuts. Check the marked numbers on each main knee braces and place as drawings shown.



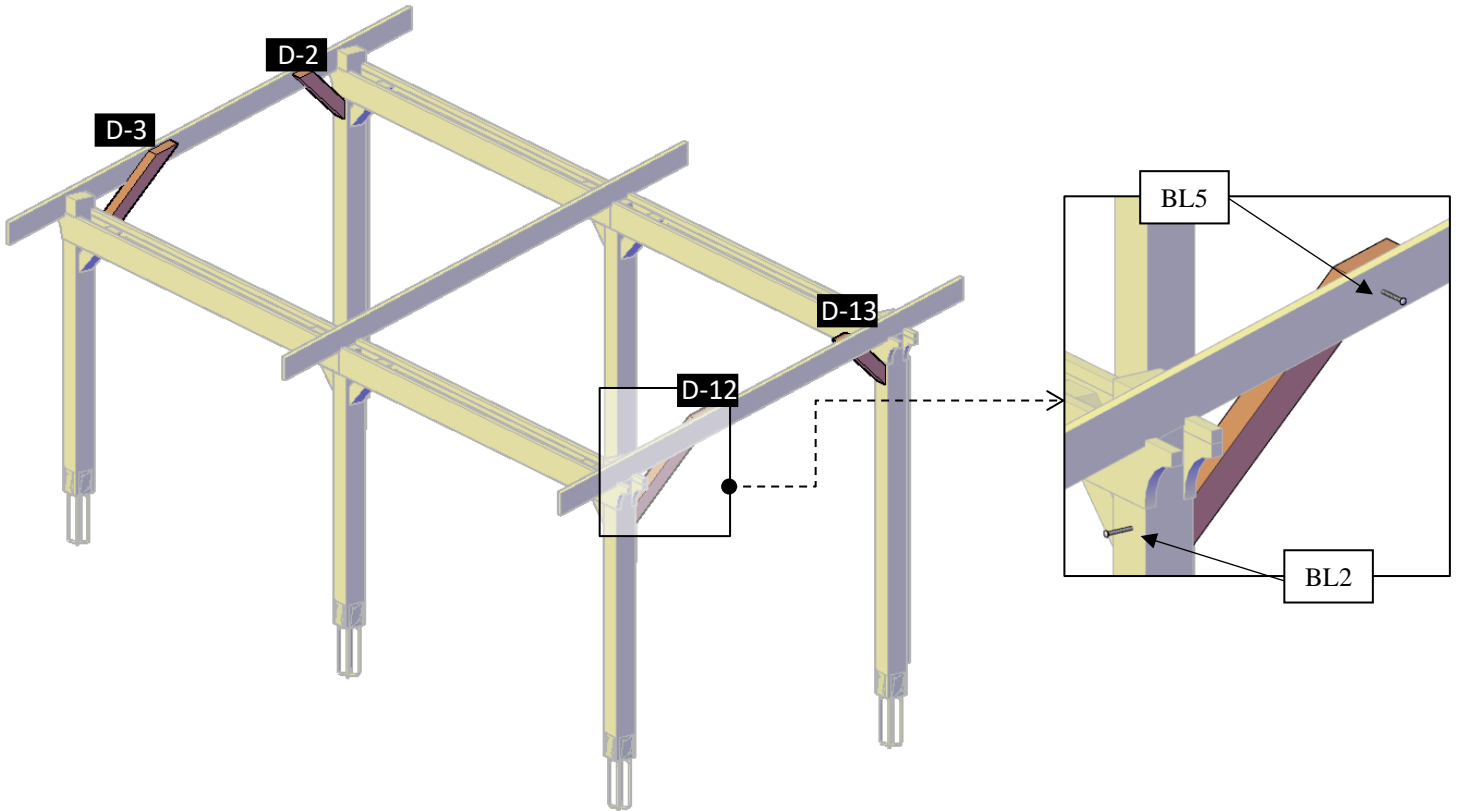
Step 7: Attach the perimeter rafter (4) to the posts with 3/8" x 8 1/2" bolts (BL4) with washer and nuts. Check the marked numbers on each rafter and place as drawings shown.



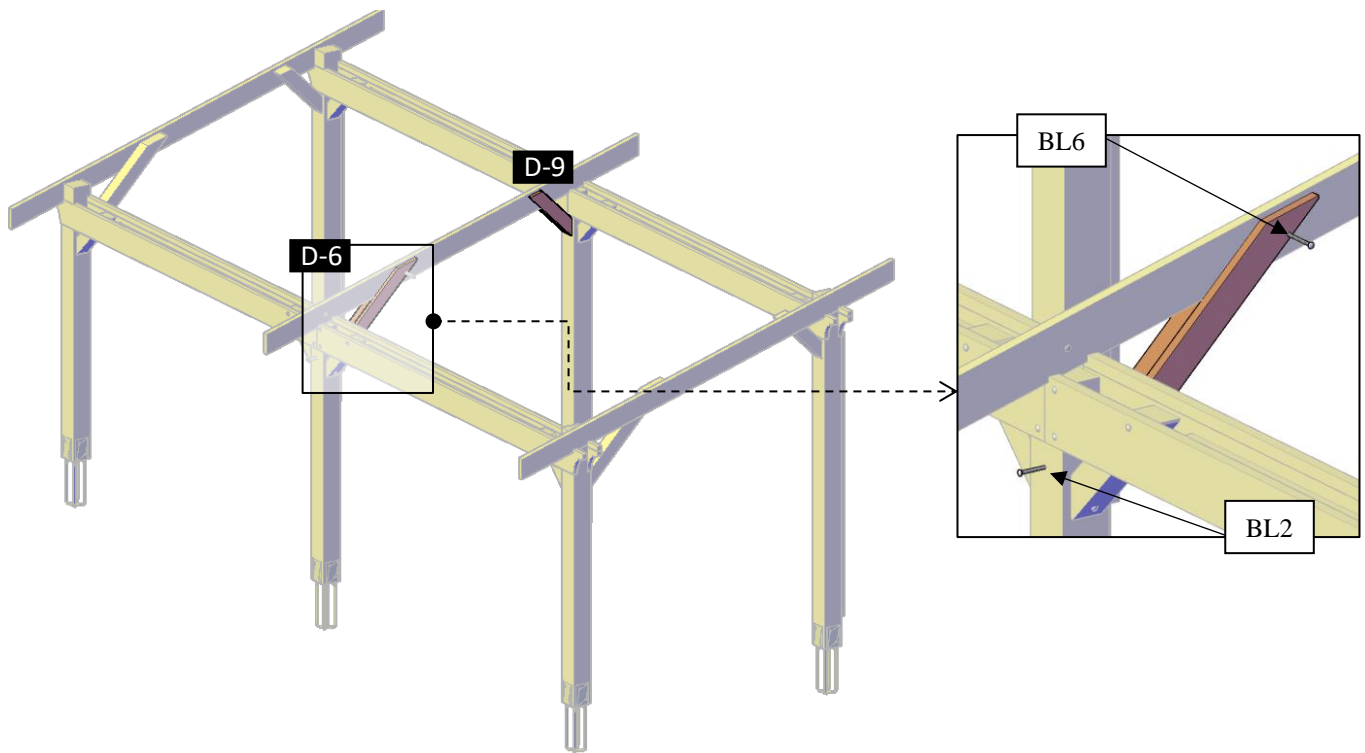
Step 8: Attach the perimeter rafter (4) to the posts with 3/8" x 7 3/4" bolts (BL1) with washer and nuts. Check the marked numbers on each rafter and place as drawings shown.



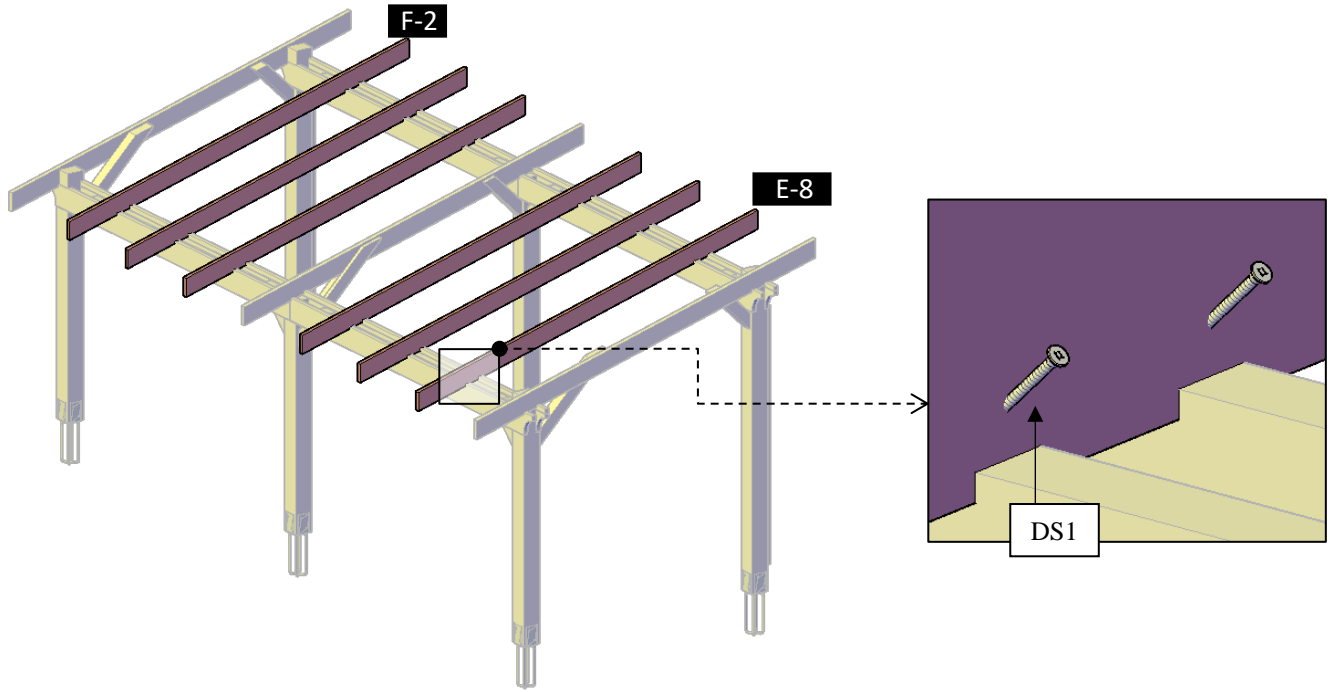
Step 9: Attach the secondary knee braces (7) to the rafters with 3/8" x 6 1/4" bolts (BL5) and to the posts with 3/8" x 12" bolts (BL2) with washer and nuts. Check the marked numbers on each secondary knee braces and place as drawings shown.



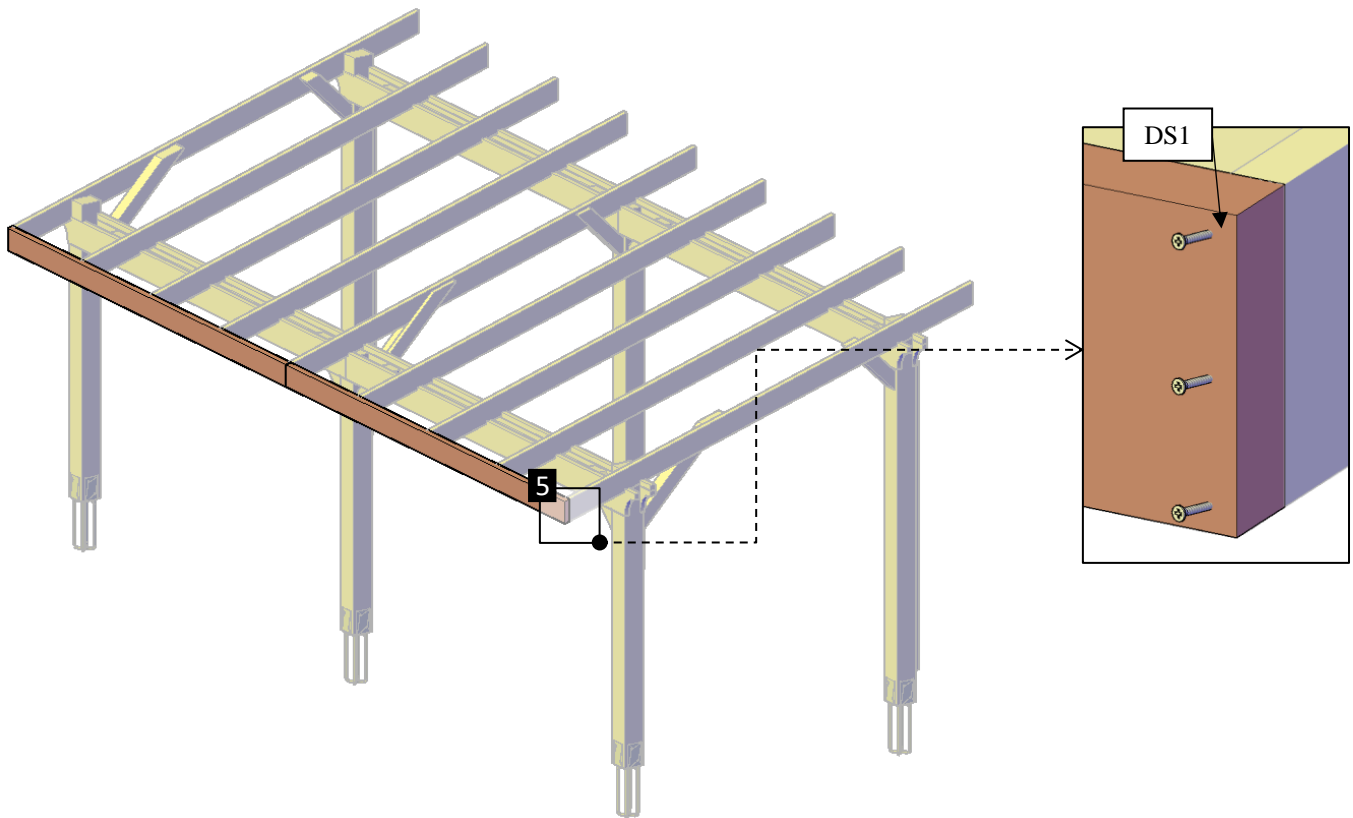
Step 10: Attach the secondary knee braces (7) to the rafters with 3/8" x 4 1/2" bolts (BL6) and to the posts with 3/8" x 12" bolts (BL2) with washer and nuts. Check the marked numbers on each secondary knee braces and place as drawings shown.



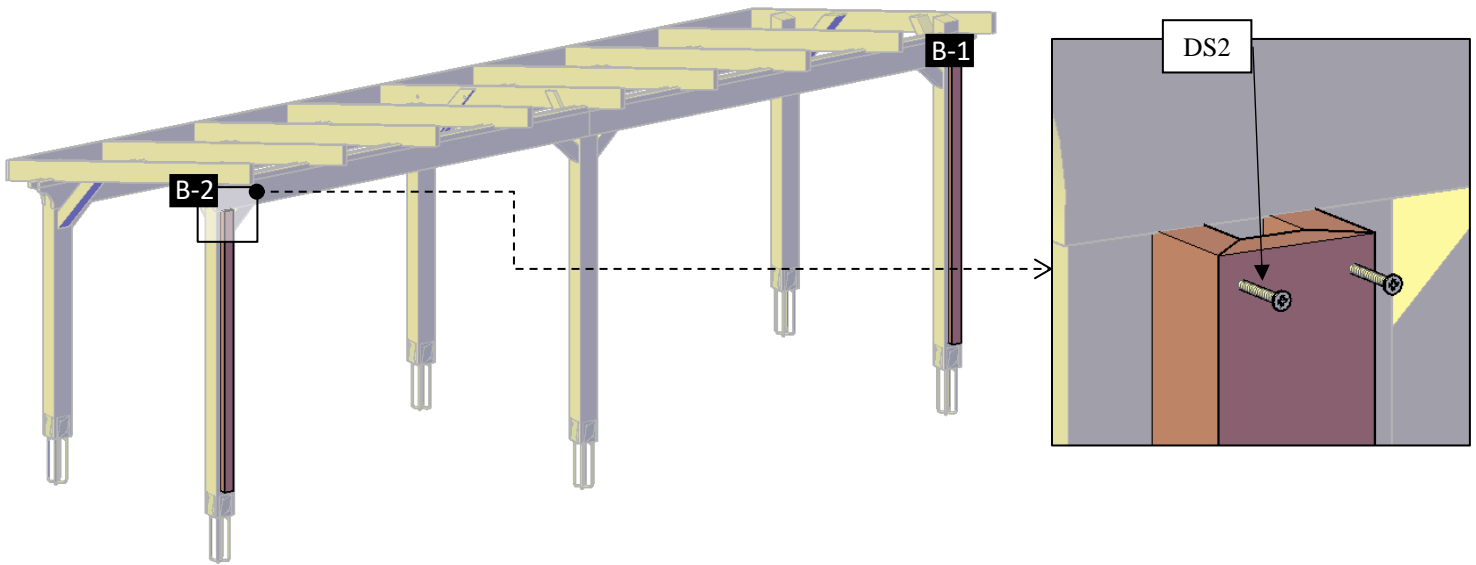
Step 11: Use 3" deck screws (**DS1**) to attach the rafters (**4**) to the supports. Check the marked numbers on each rafter and place as drawings shown (D-2 at D-11).



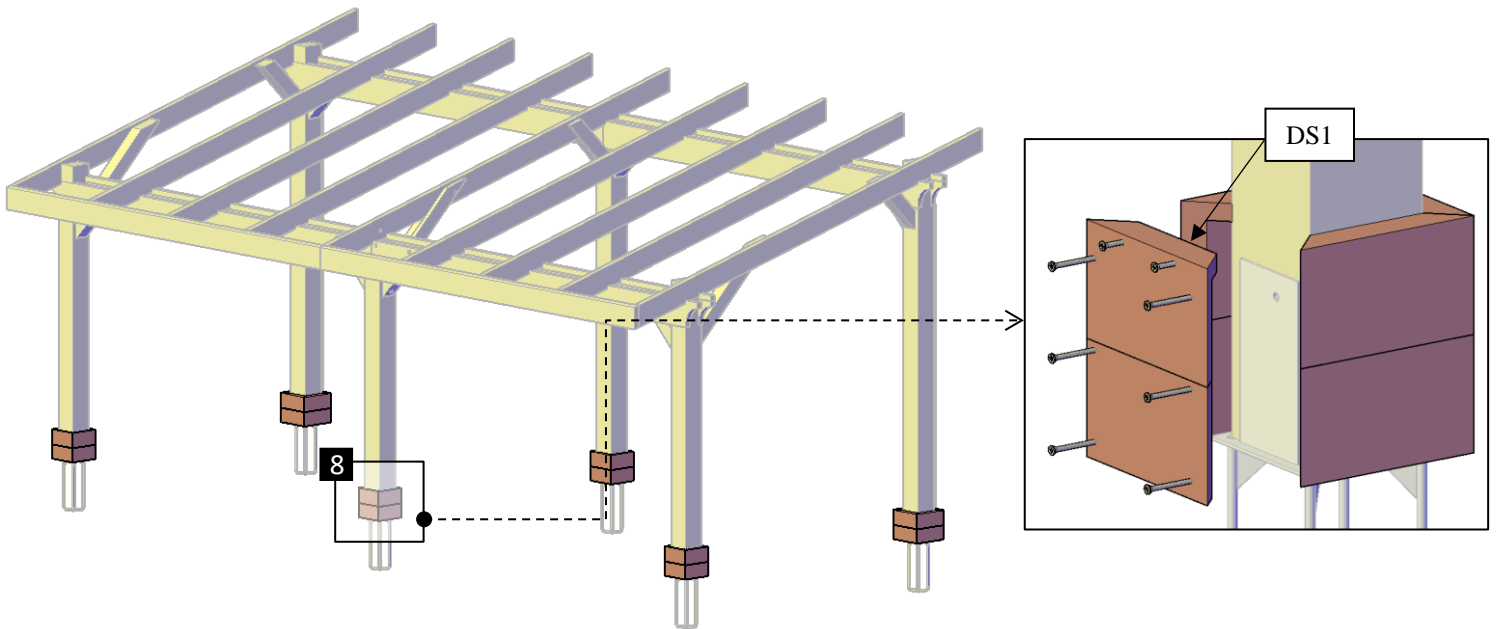
Step 12: Use 3" deck screws (**DS1**) to attach the fascias (**5**) to the rafters. Check the marked numbers on each fascias and place as drawings shown.

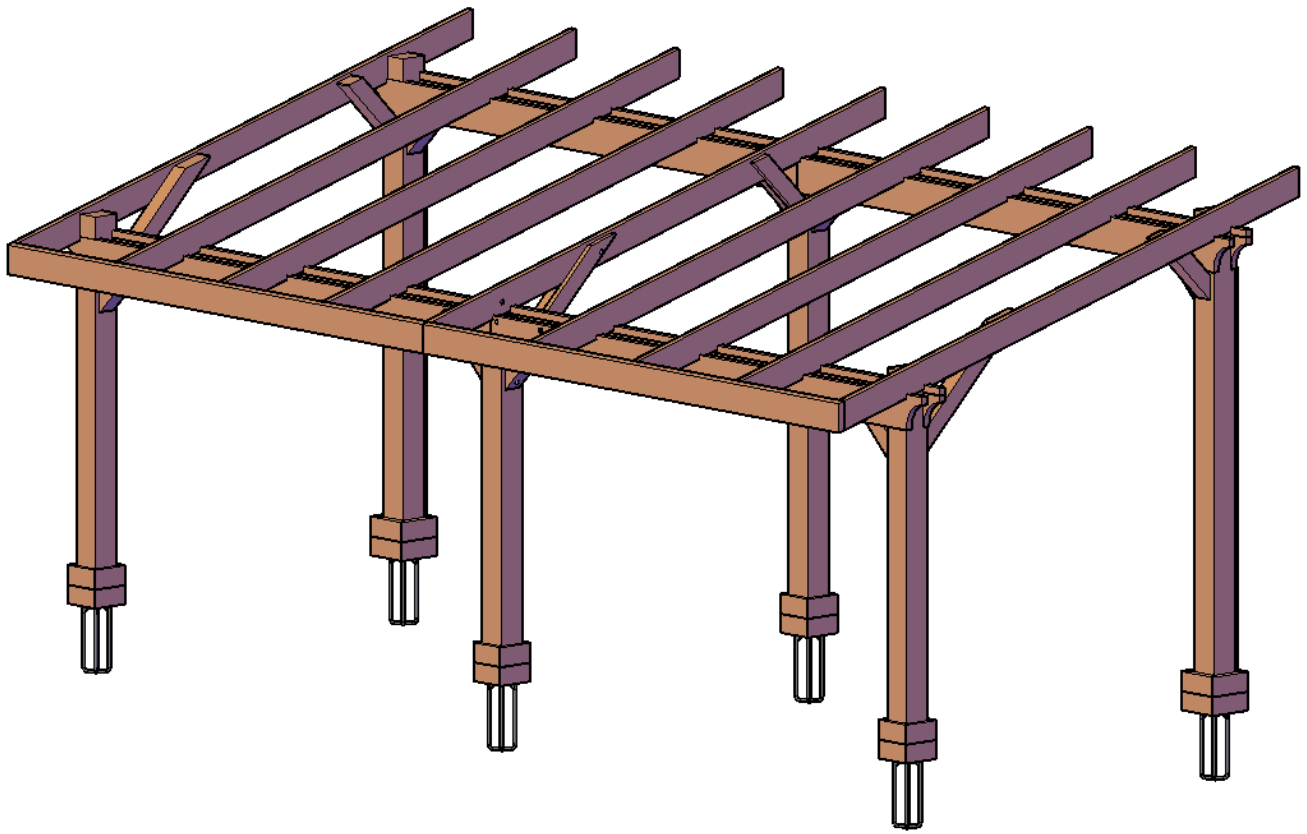


Step 13: Use 4" deck screws (**DS2**) to attach the electrical trims (**10**) to the rafters. Check the marked numbers on each electrical trim and place as drawings shown.



Step 14: Attach the boots (**8**) to each post with 3" Deck Screws (**DS1**).





This completes the Pergola assembly. Hope you enjoy your set for many decades. If you ever have a problem or a question, don't hesitate to call us (619-639-7503 or 619-677-1965) or email us. We are here to support you.