

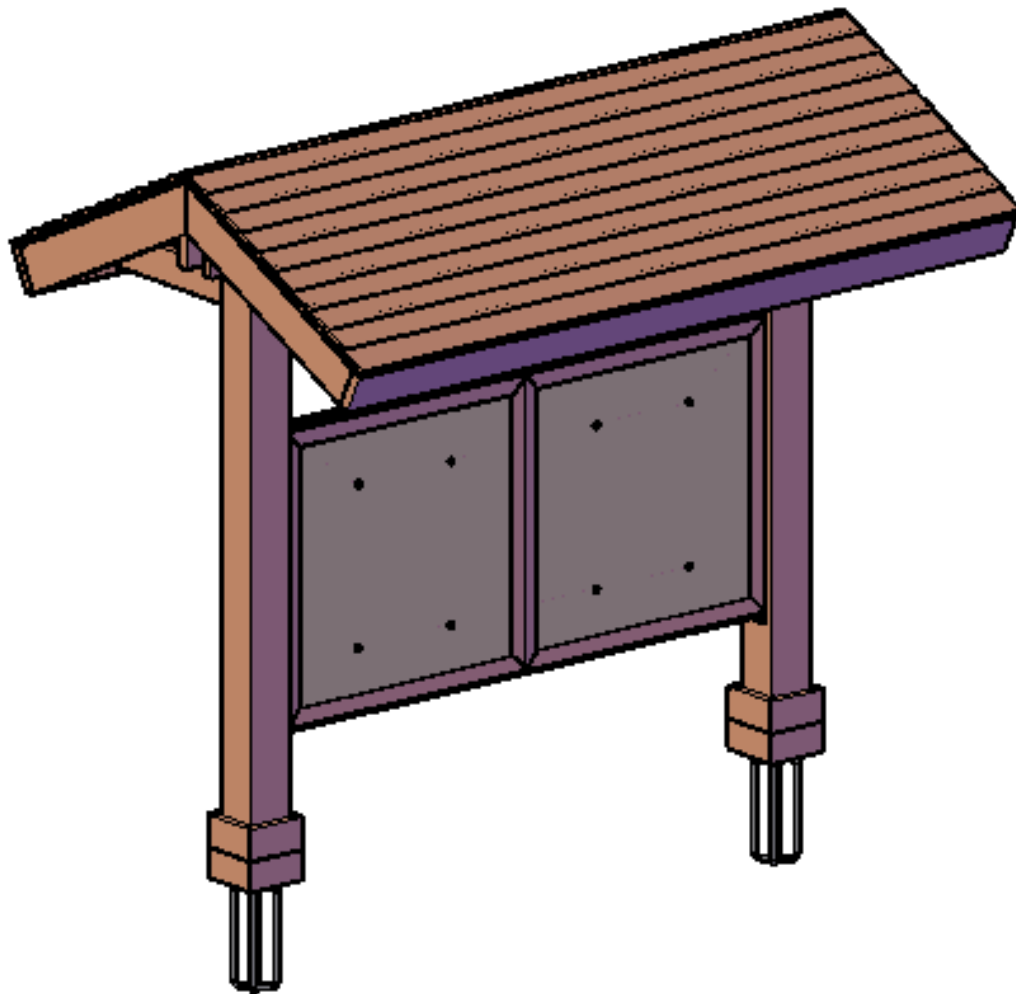


FOREVER REDWOOD

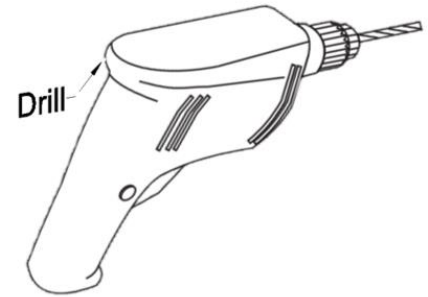
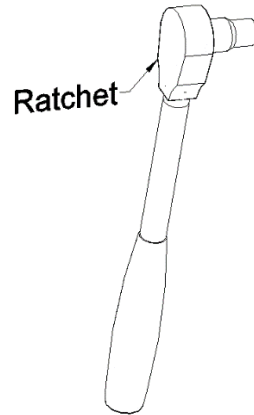
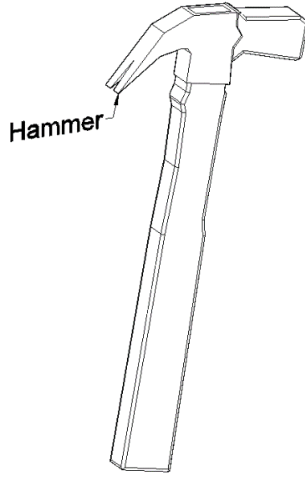
From the Forest, For the Forest since 1995

866.332.2403 (TOLL FREE) (707) 640.29.05 (Option 4) Direct Line for the Design Department; 7am – 7pm Pacific Time, Monday-Saturday

ASSEMBLY INSTRUCTIONS FOR THE THE EMERALD NECKLACE TRAIL KIOSK

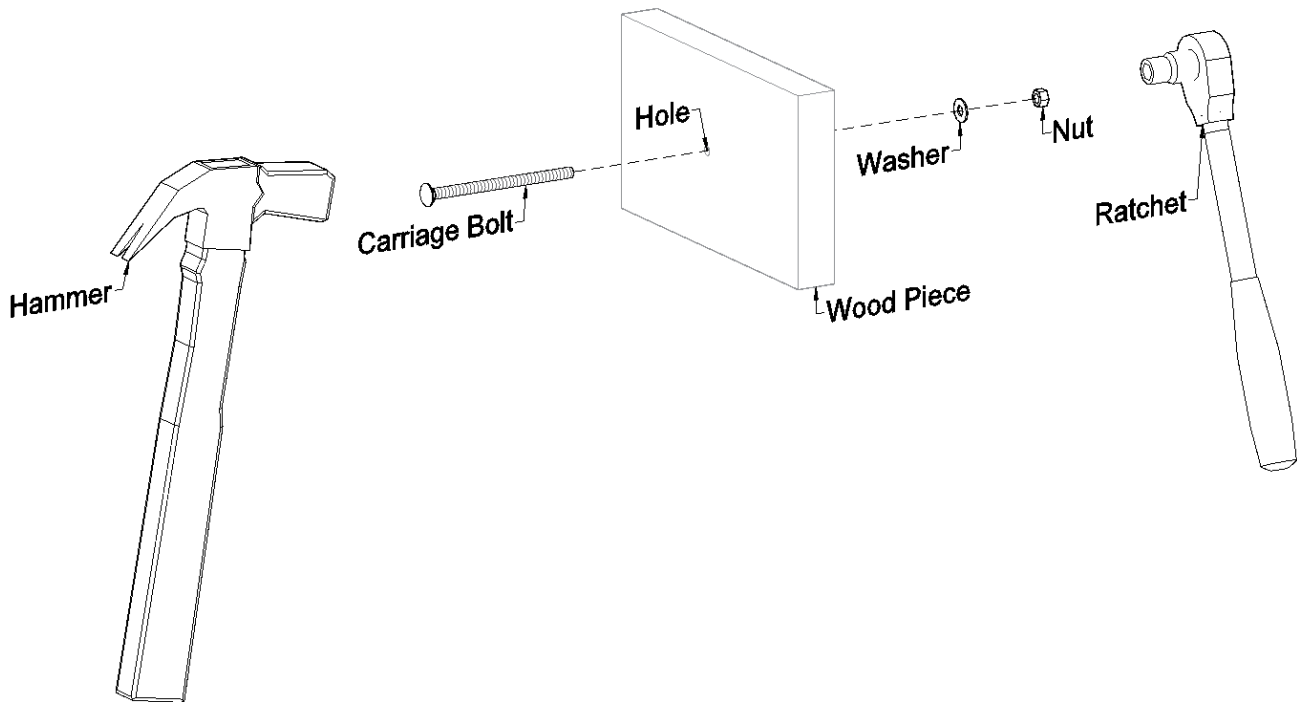


NOTE: To assemble your product, you need a Hammer, a Ratch, a Drill, and an impact drill. For bigger structures, a forklift may be needed too.



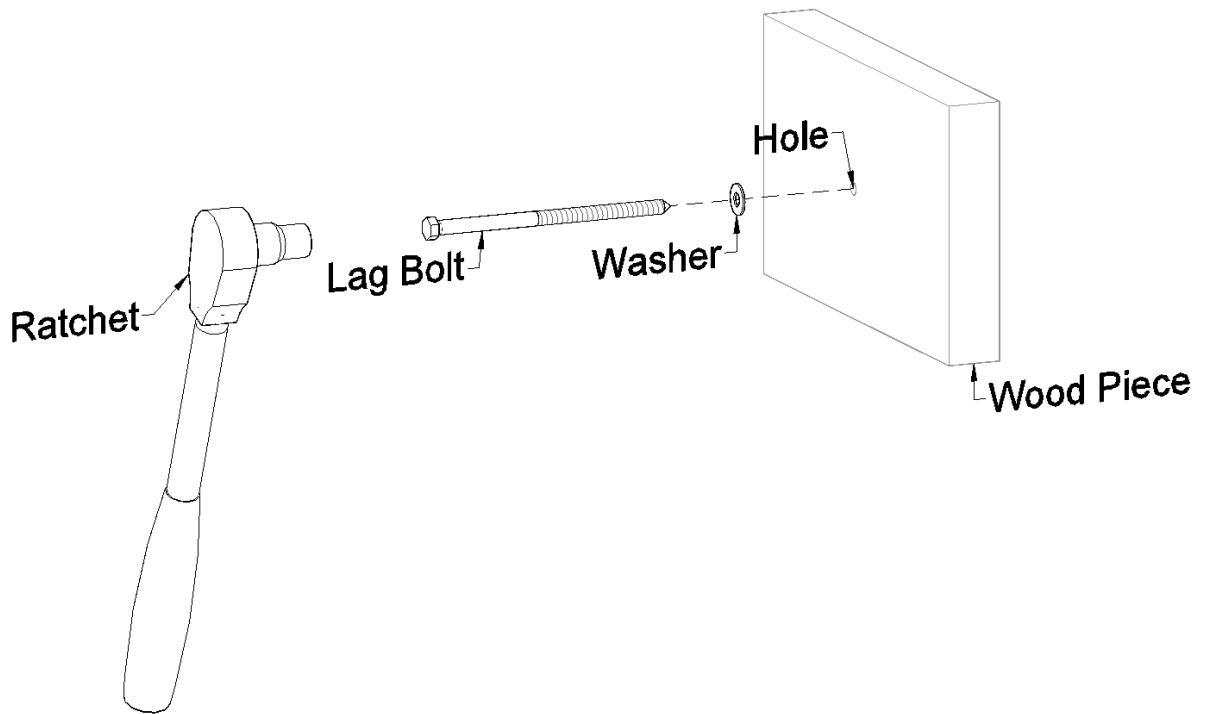
Required Tools (Are not included in your hardware packing).

PROCESS TO INSTALL THE HARDWARE PROVIDED.

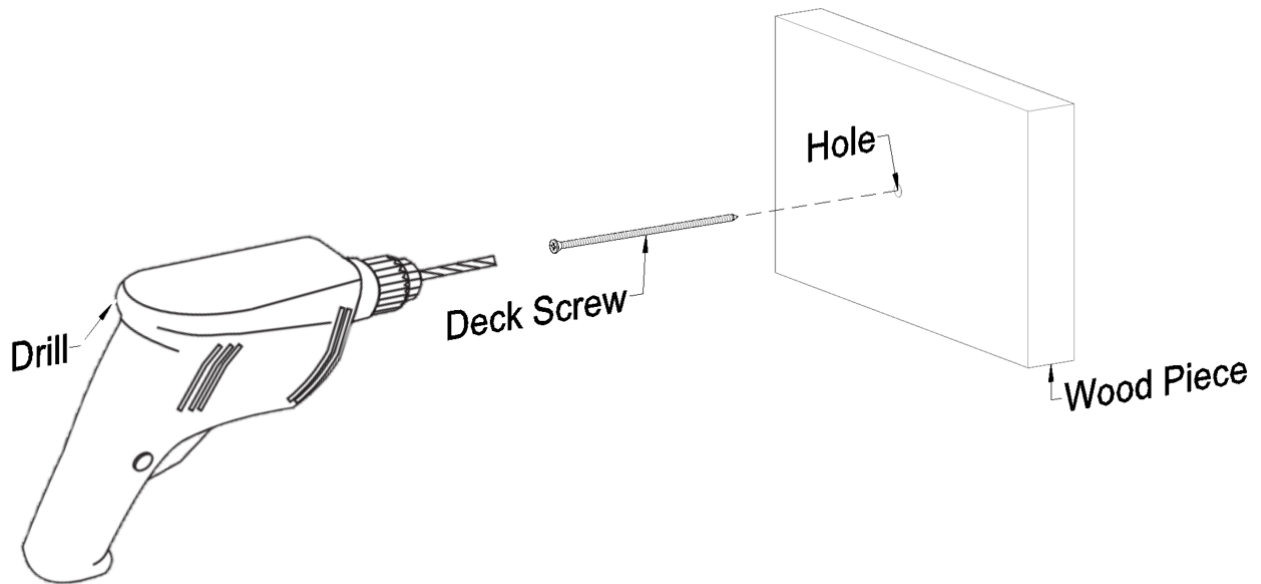


To install the bolts.




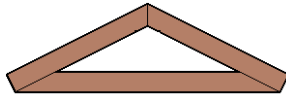
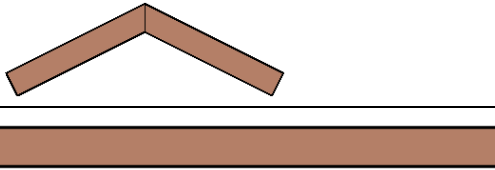




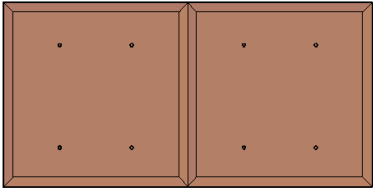





Insert the carriage bolts into the holes and lightly tap with a hammer until the square neck fit in the wood piece and the bolt head must flush with the wood piece. Finally, place the washer and the nut and carefully tighten it using a ratchet with the necessary socket or a wrench.



To install the lag bolts.
Place the washers in their lag bolts. After that, insert the lag bolts into the holes and carefully tighten it using a ratchet with the necessary socket.
Use the washers only for the Wood Pieces.












To install the deck screws.
Insert the deck screws into the holes and carefully tighten it using a drill.

CONTENT OF BOXES			
Qty.	Description	Drawings	No.
2	Posts		1
1	Single Supports		2
1	Single Supports In-Between Blocking		3
5	Gable Rafters		4
2/2	Fascias		5
20	Lover Roof Board		6
20	Uper Roof Board		7
1	Cover Top		8
3	Wooden Bars		9
1	Wall Panel		10
1	Base		11
6	Metal Supports		12
16	Tamper Proof Bolts		13
2	Anchor Bases		14
2	Boots		15

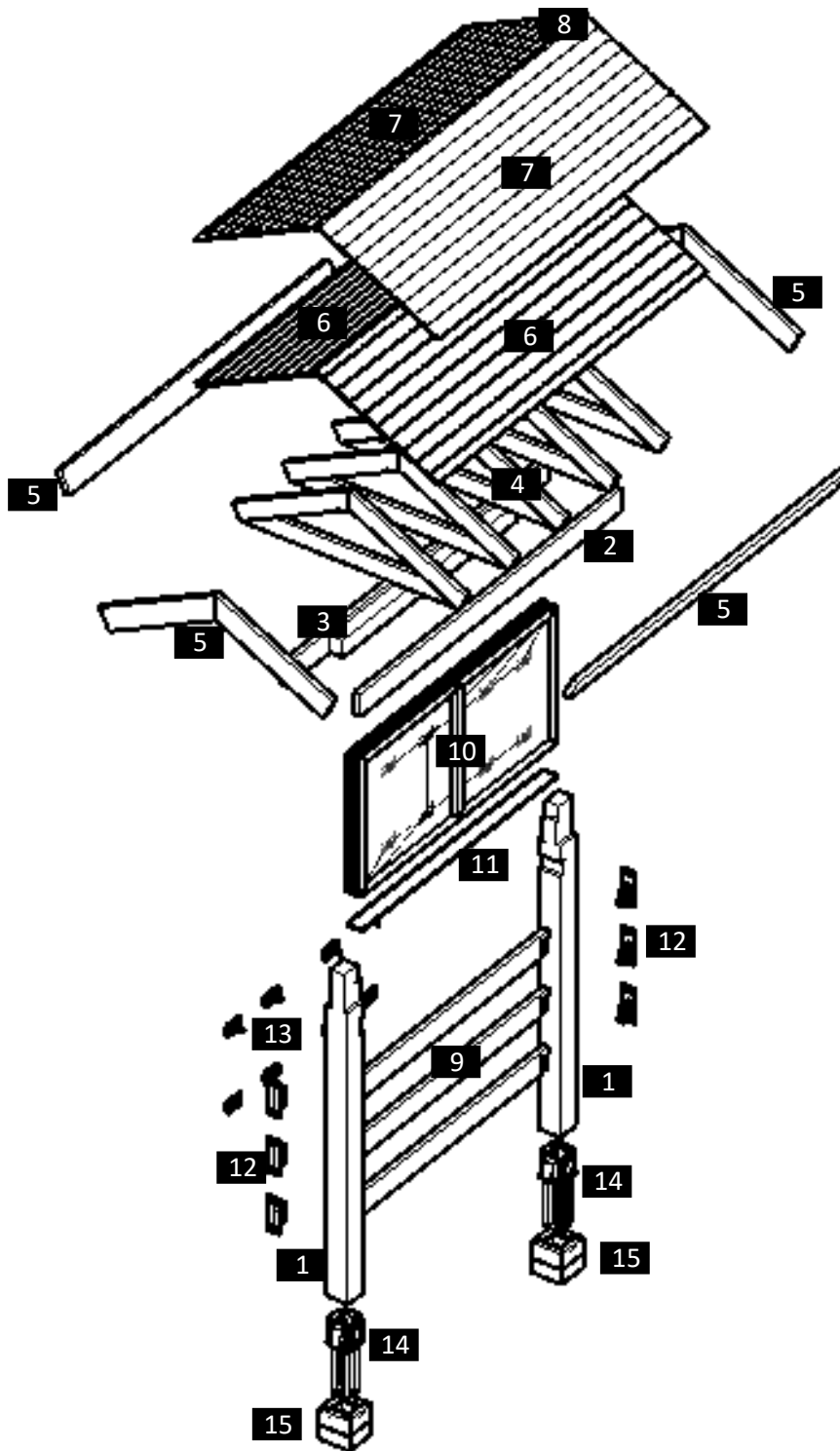
Note: Part numbers in the Content of Boxes Table are for reference only. These do not match to the numbers marked on the parts sent.



HARDWARE LIST

Qty.	Description	Drawing	No.
16	3/8" x 3" Lag Bolts		LB1
7	3/8" x 7 3/4" Bolts		BL1
8	3/8" x 7 1/2" Bolts		BL2
15	6" Deck Screws		DS1
106	3" Deck Screws		DS2
80	2 1/2" Deck Screws		DS3
150	1 1/2" Deck Screws		DS4
15	2" Deck Screws		DS5
30	1 1/4" Deck Screws		DS6

DESCRIPTION	No.
Posts	1
Single Supports	2
Single Supports with In-Between Blocking	3
Gable Rafters	4
Fascias	5
Lower Roof Boards	6
Upper Roof Boards	7
Cover Top	8
Wooden Bar	9
Wall Tied	10
Base	11
Metal Supports	12
Tamper Proof Bolts	13
Anchor Bases	14
Boots	15

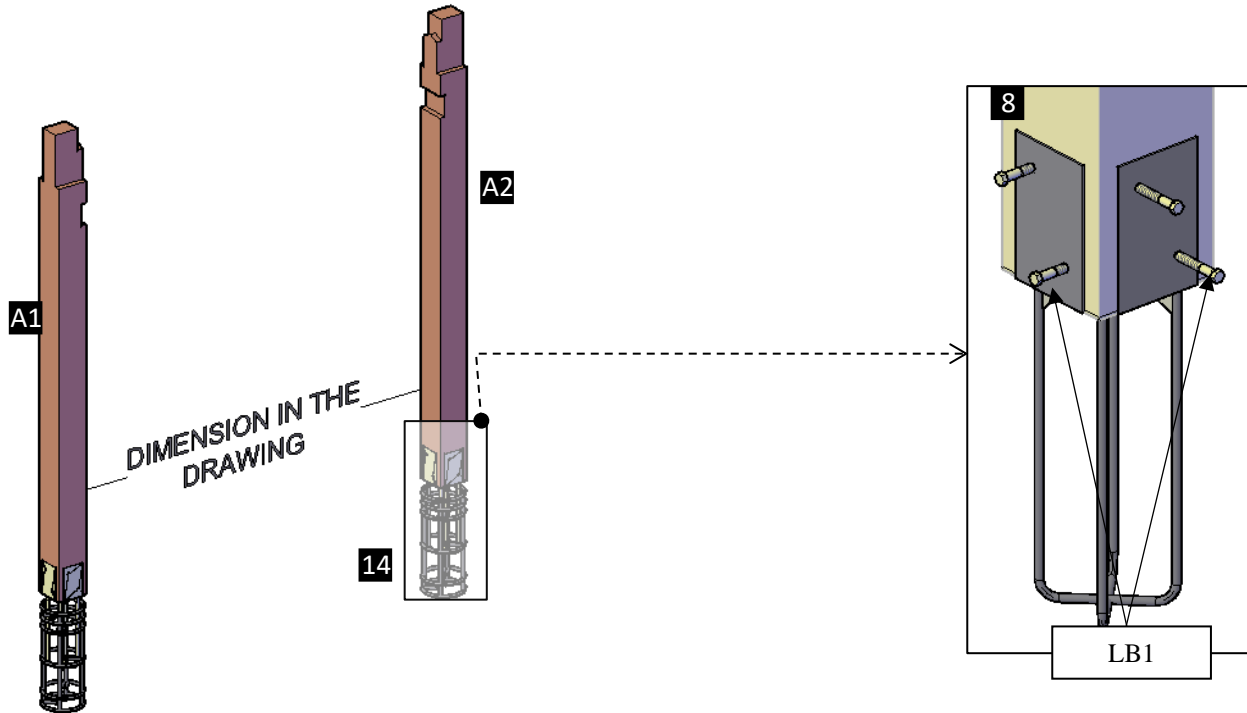


Note: Part numbers in the Drawing are for reference only. These do not match to the numbers marked on the parts sent.

Note: In order to know where the post needs to be placed, check the numbers on them. If the post is not marked, then place the single Supports on the ground to locate the markings for each post position and clearly set your bearings. (“Don’t attach yet, only place them on the ground to begin with”).

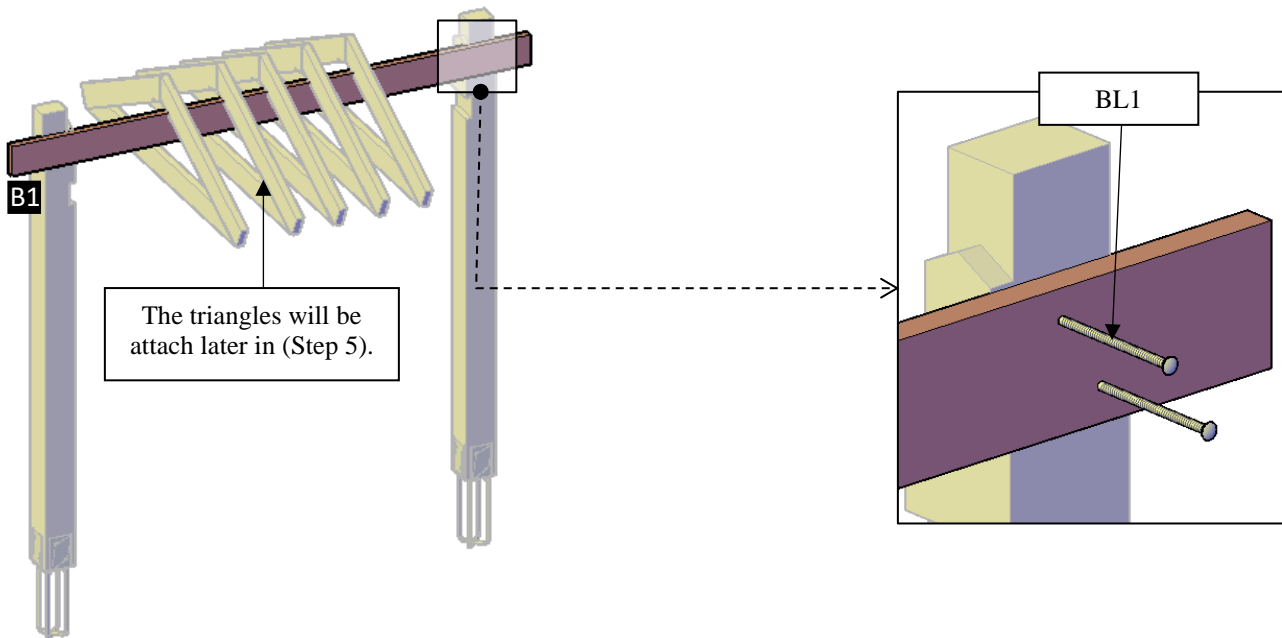
Note: Before install the anchor bases make sure that the ground is level using a carpenter's level or hydro-level (water level).

Step 1: Install the anchor bases (14). Please see the “How to anchor your pergola document” for all details. Set your post (1) in the saddle of the anchor bases. After that, use 3/8” x 3” lag bolts (LB1) to attach each post to its respective anchor base.

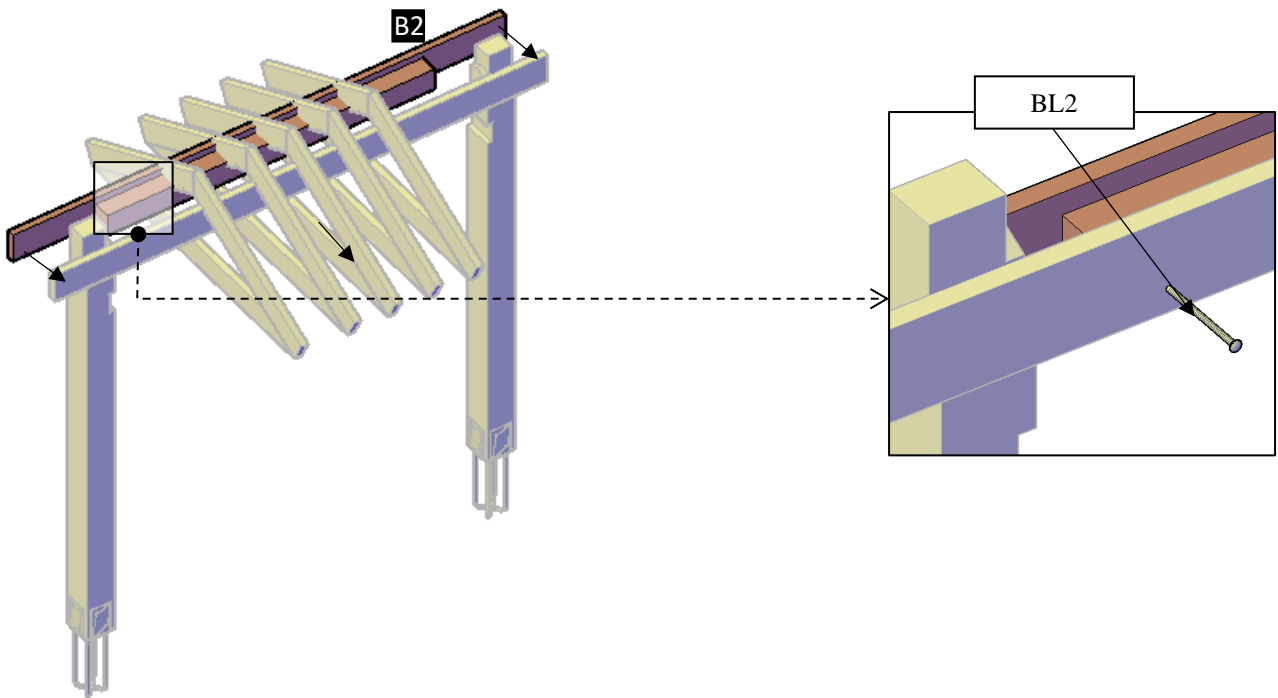


Step 2: Attach the single support (2) to the posts (1) with 3/8” x 7 3/4” bolts (BL1). Check the marked on each single support and place as drawings shown.

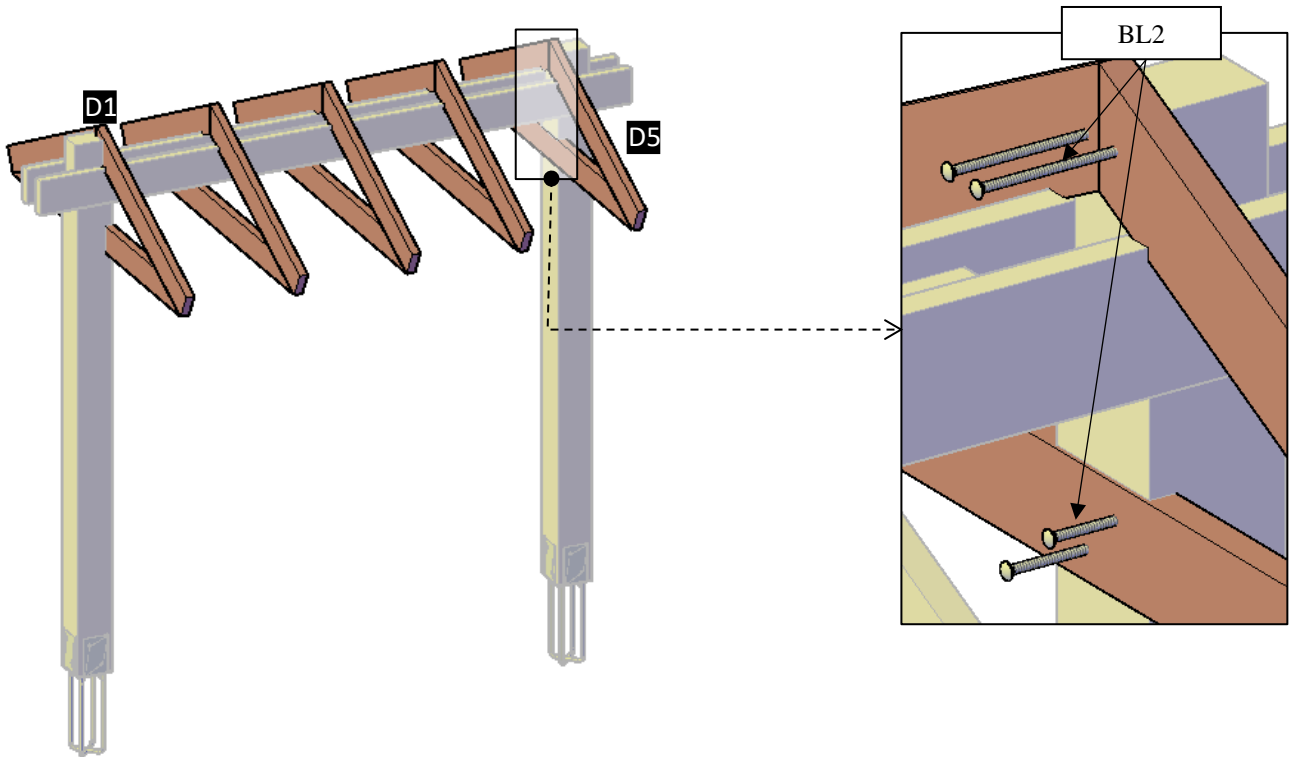
Note: Put up the support (2) with the gable rafters (4) in the middle, they will be attach later in (Step 5).



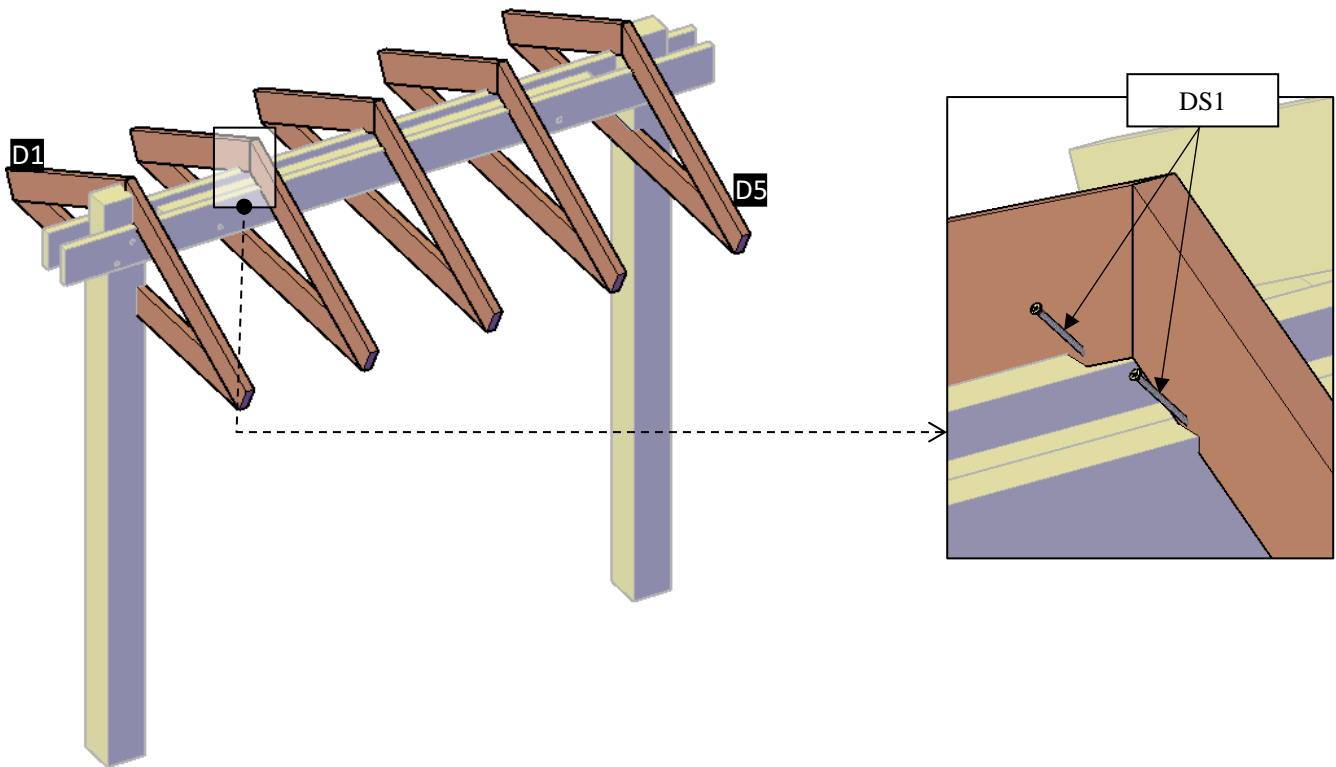
Step 3: Attach the support with in-between blocking (3) to the single support (2) with 3/8" x 7 1/2" bolts (BL2). Check the marked on each single support in-between blocking and place as drawings shown.



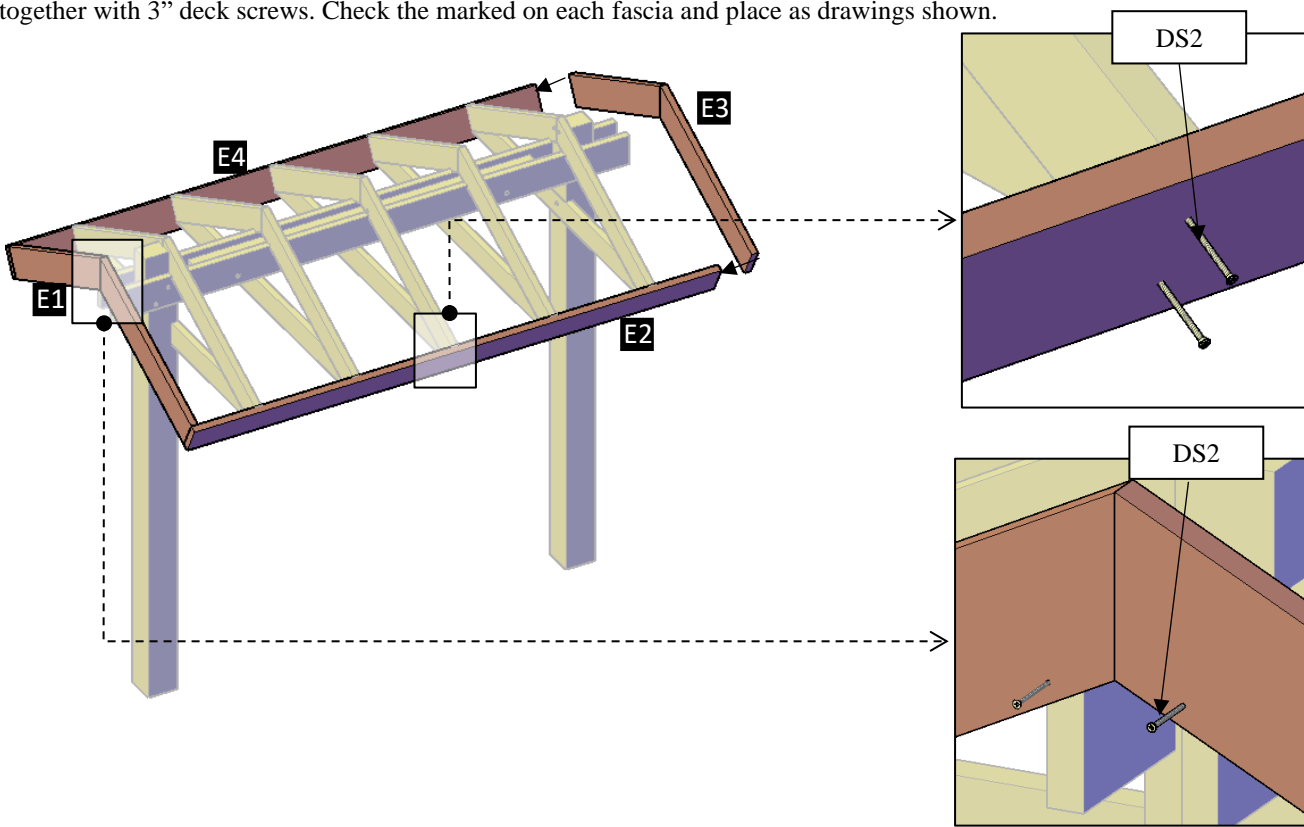
Step 4: Attach the gable rafters (4) to the posts (1) with 3/8" x 7 1/2" bolts (BL2). Check the marked on each gable rafter and place as drawings shown.



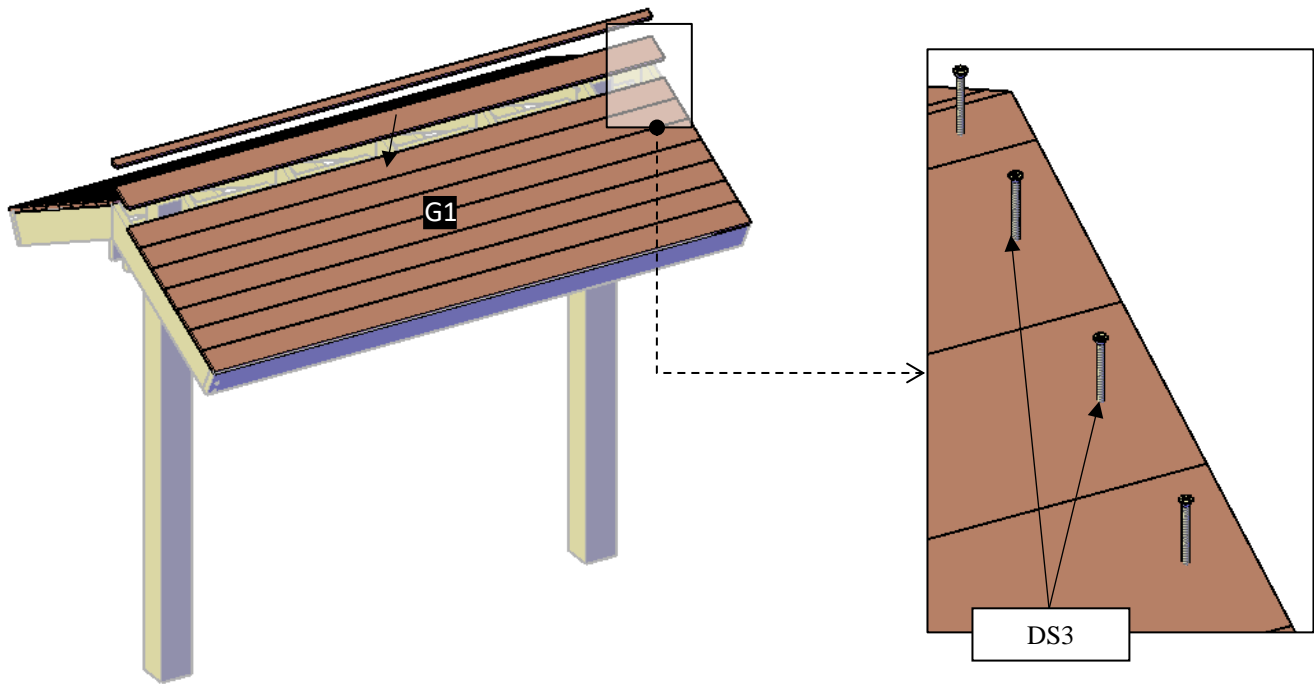
Step 5: Use 6" deck screws (**DS1**) to attach the central gable rafters (**4**) to the supports (**2**). Check the marked on each central gable rafter and place as drawings shown.



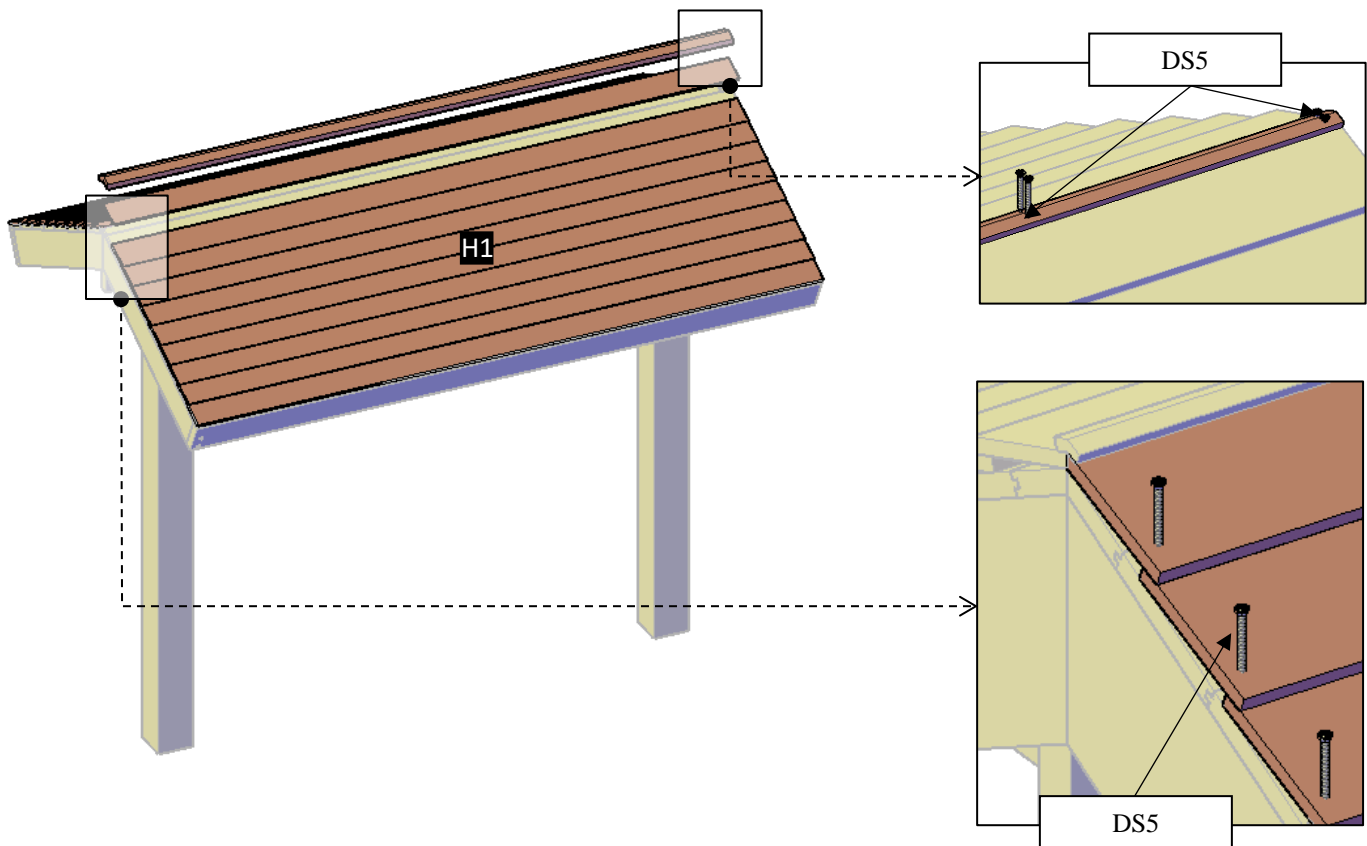
Step 6: Attach the fascias (5) to the gable rafters (4) and the supports (2) with 3" deck screws (**DS2**). After that attach the fascias together with 3" deck screws. Check the marked on each fascia and place as drawings shown.



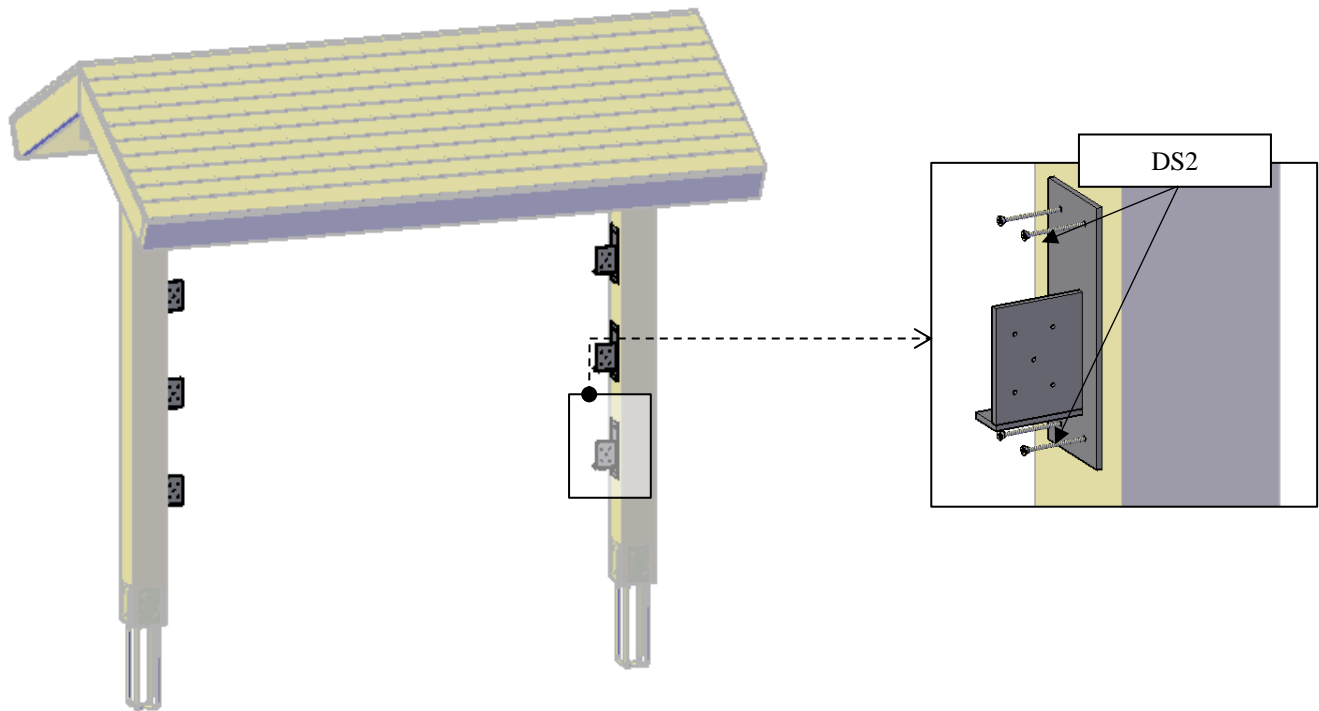
Step 7: Attach the lower roof boards (6) to the gable rafters (4) and the facias (5) with 2 ½” deck screws (DS3). Check the marked on each lower roof board and place as drawings shown.



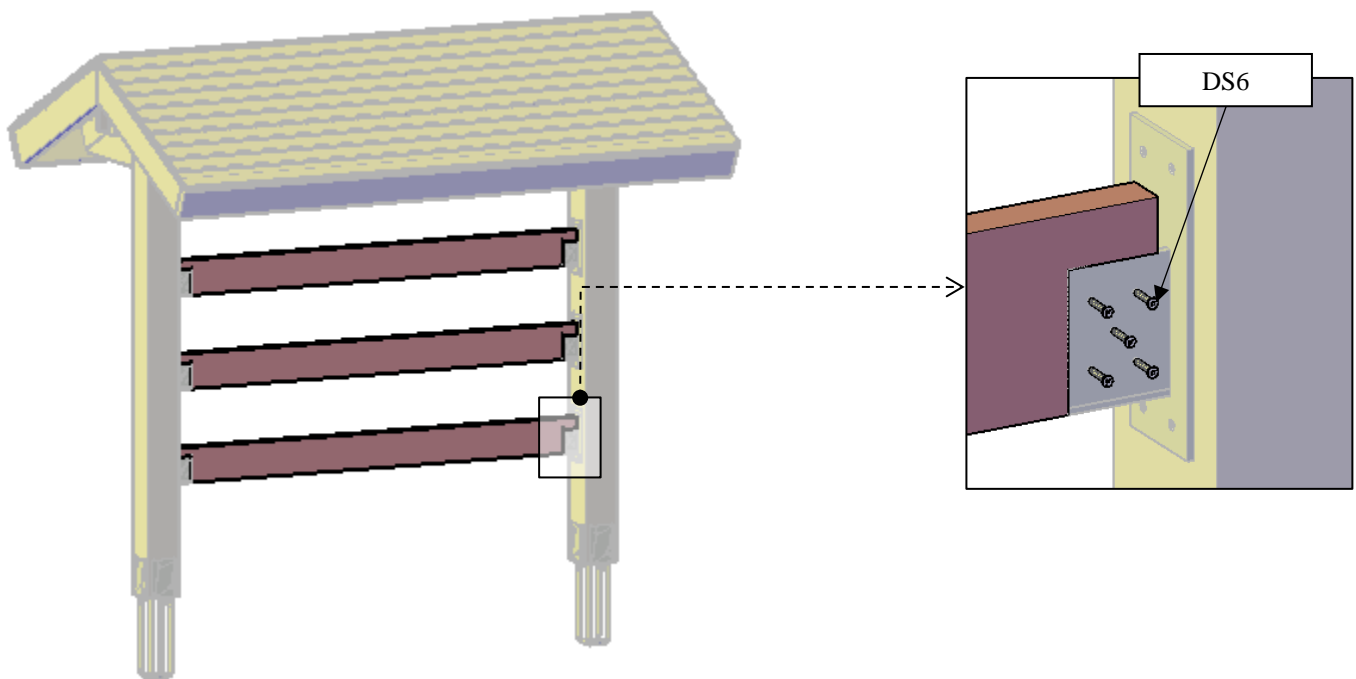
Step 8: Attach the upper roof board (7) to the gable rafters (4) and the facias (5) with 1 ½” deck screws (DS). After that use 2” deck screws stainless steel (DS5) to attach cover top (8) to the roof boards (6,7). Check the marked on each upper roof board and place as drawings shown.



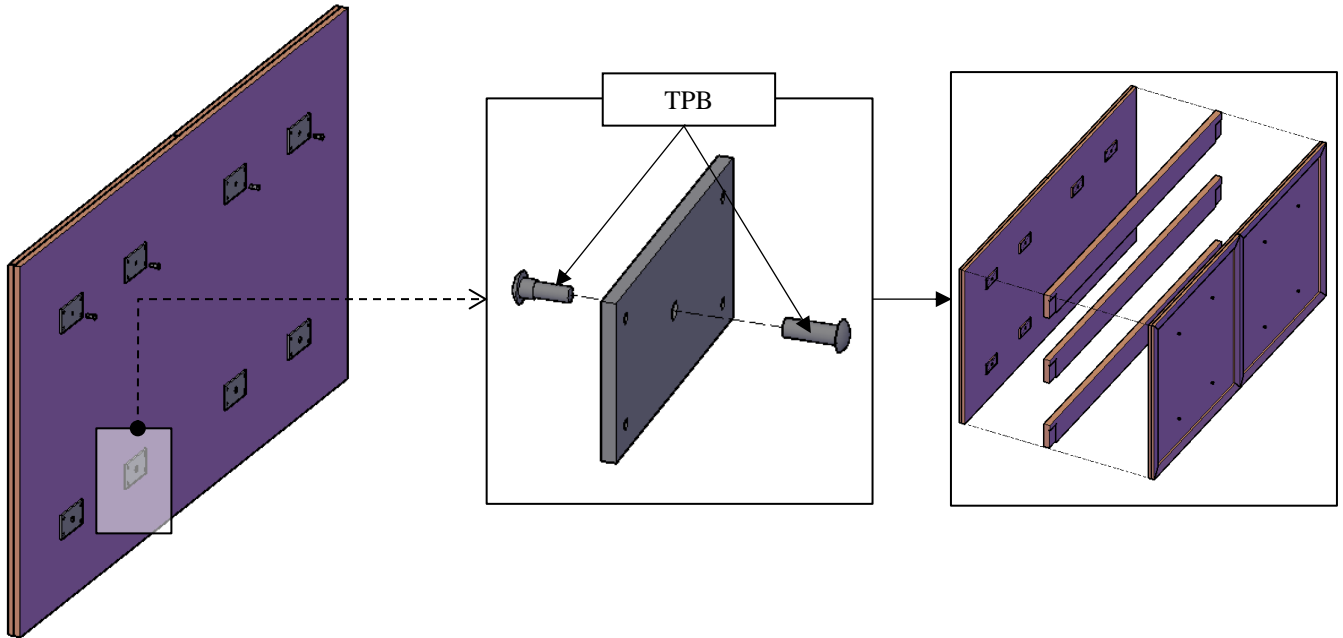
Step 9: Attach the metal support (12) to the posts (1) with 3" deck screws (DS2). Check the marked on each metal support and place as drawings shown.



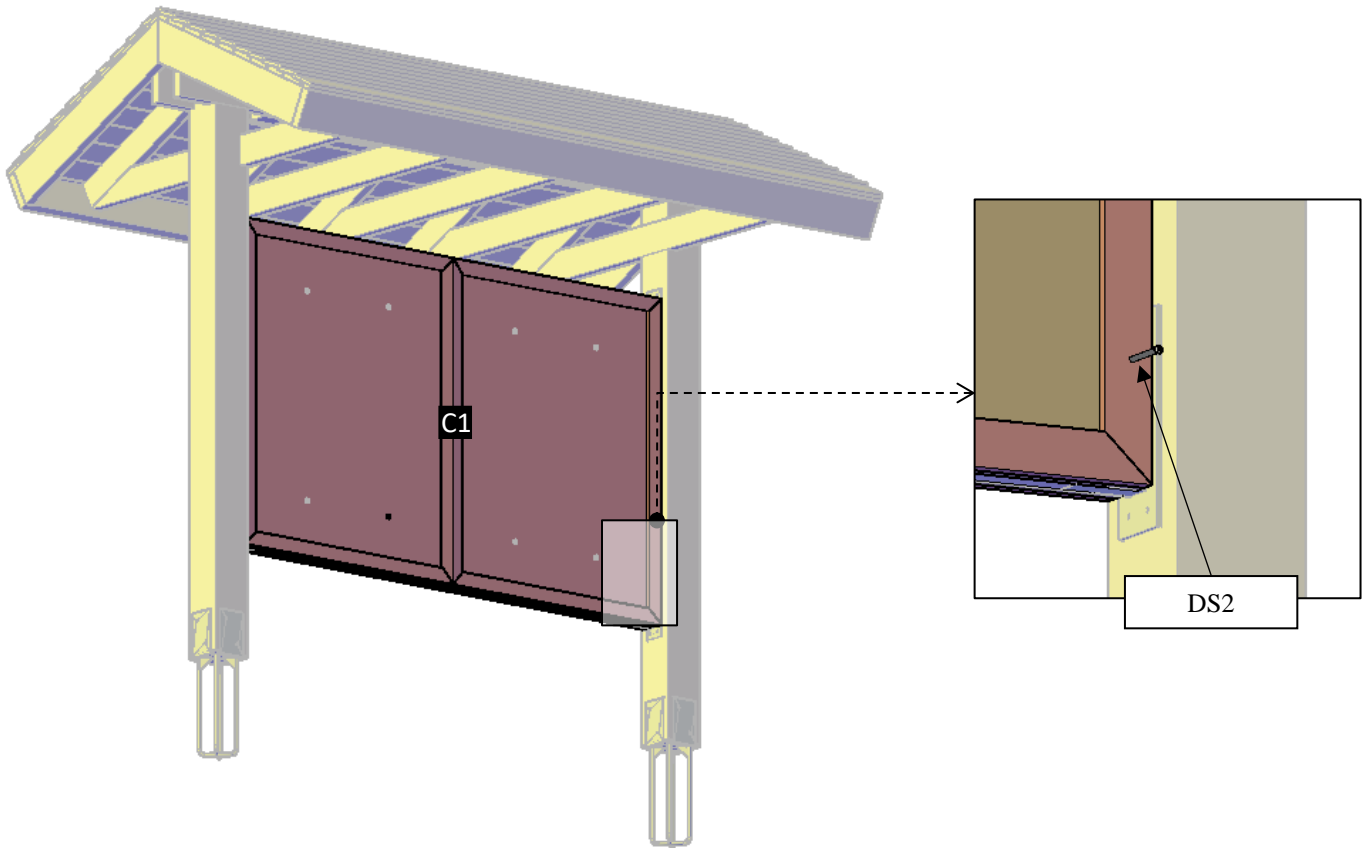
Step 10: Attach the wooden bar (9) to the metal supports (12) with 1 1/4" deck screws (DS6). Check the marked on each wooden bar and place as drawings shown.



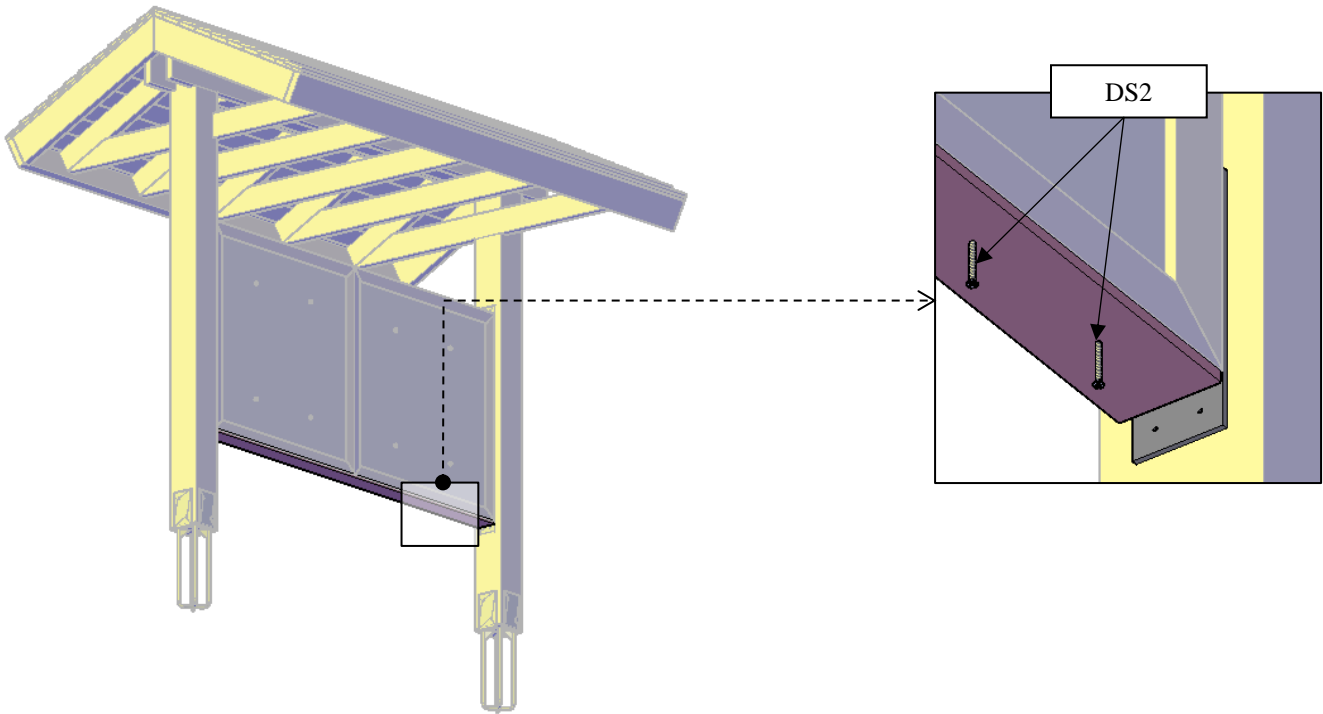
Step 11: Union the wall tied (10) with tamper proof bolts (TPB). Check the marked on each wall tied and place as drawings shown.



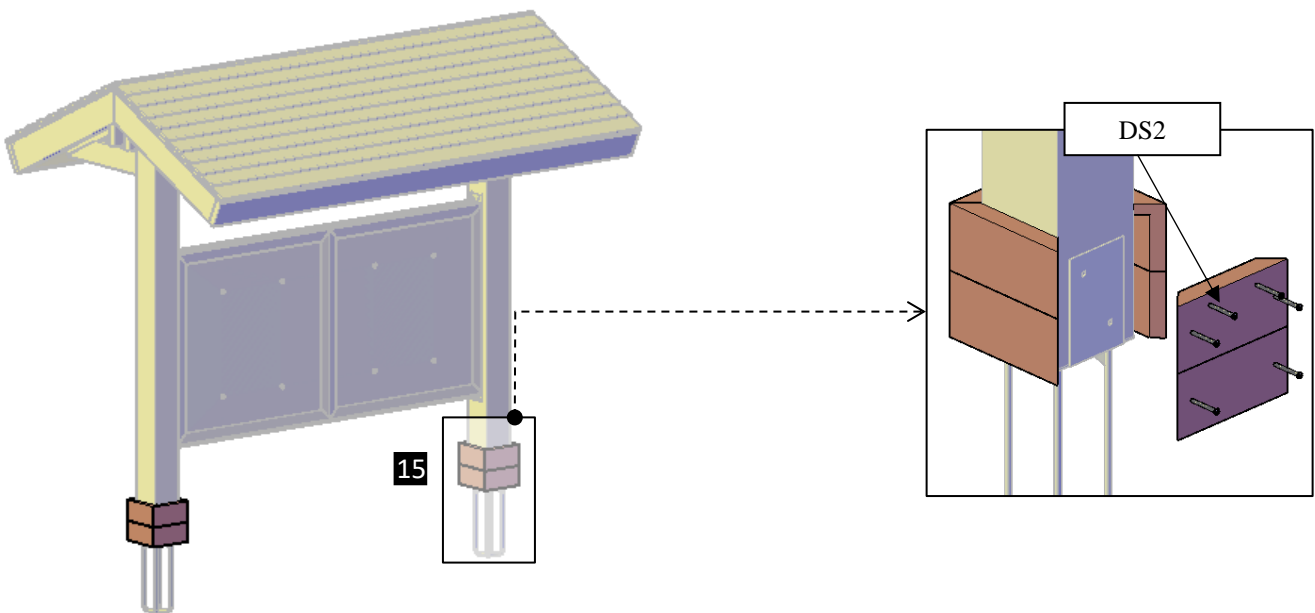
Step 11.1: Tie between both walls (10) with 3" deck screws (DS2). Check the marked on each wall tied and place as drawings shown.

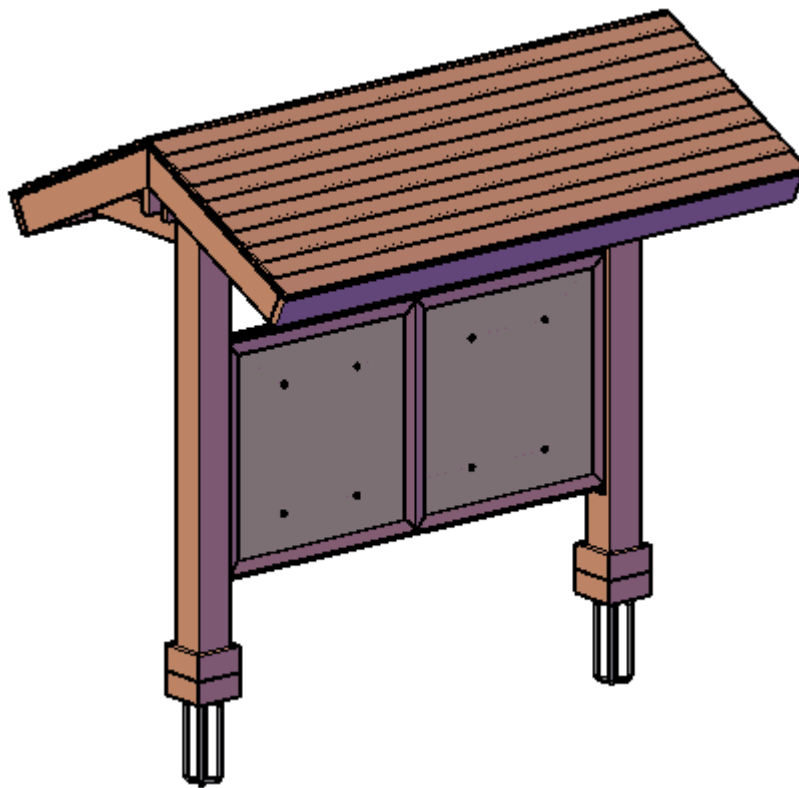


Step 12: Attach the base (11) to the wooden bar (9) and to the wall frame (10) with 3" deck screws (DS2). Check the marked on each base and place as drawings shown.



Step 13: Attach the boots (15) to the posts (1) with 3" deck screws (DS2). Check the marked on each boot and place as drawings shown.





This completes the Sign Structure assembly. Hope you enjoy your set for many decades. If you ever have a problem or a question, don't hesitate to call us (619-639-7503 or 619-677-1965) or email us. We are here to support you.

