

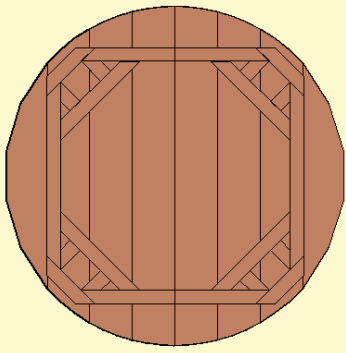
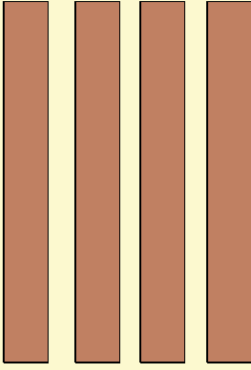
## Assembly Instructions for: **ROUND PATIO TABLES**



Thank you for purchasing Forever Redwood patio furniture. Forever Redwood is built by Old-Growth Again Restoration Forestry (OGA). OGA is dedicated to restoration forestry. Sales of patio furniture finance our restoration work in California redwood forestlands.

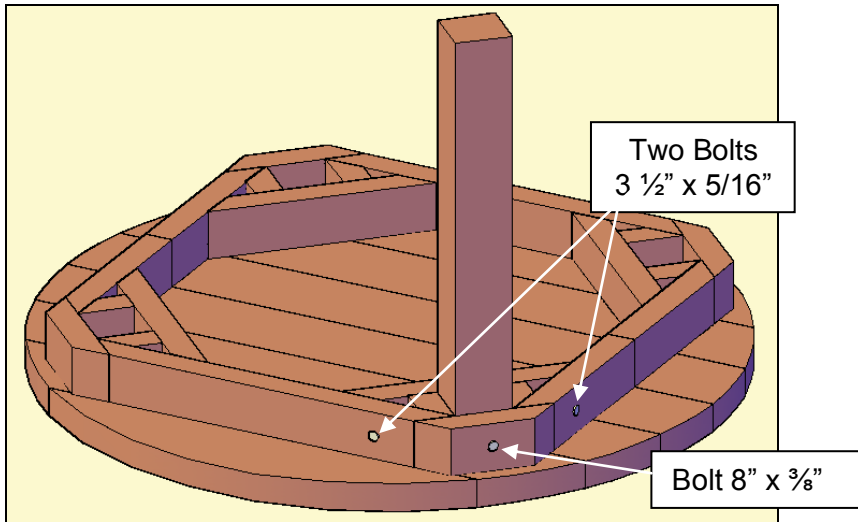
**Tools required:** ½-inch ratchet and a mallet or small hammer.

**Content of boxes:**

Quantity	Description	Drawing	
1	Tabletop		
4	Legs		
8	Carriage Bolts 3 ½" x 5/16", Washers and Nuts		
4	Carriage Bolts 8" x 3/8", Washers and Nuts		

The parts that go together have the same numbers written next to the predrilled holes they attach to. Align the parts with the numbers as shown for ease of reference.

**Step 1:** Place the tabletop upside down on a soft surface. Attach the leg to tabletop, with three carriage bolts, washers & nuts. Match the numbers written on both pieces (next to the pre drilled holes). Tap the bolt all the way into the wood to set it. Then add a washer and nut and lightly tighten. Repeat this step to attach the other 3 legs to tabletop.



Then carefully turn the table around. The tips of the legs can be splintered if the table is dragged. It is best to turn the table over with two persons to avoid this.

Thank you. If you have any questions, please call or email us.